


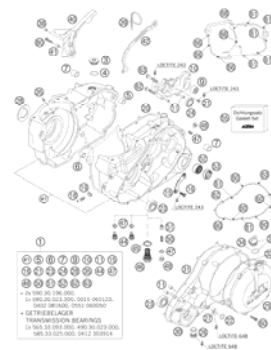
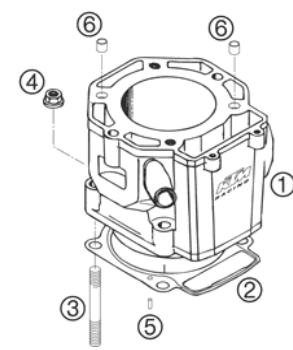
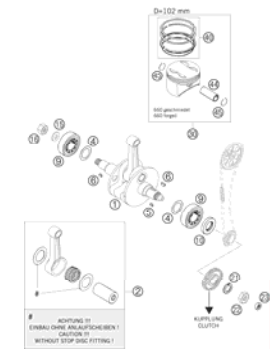
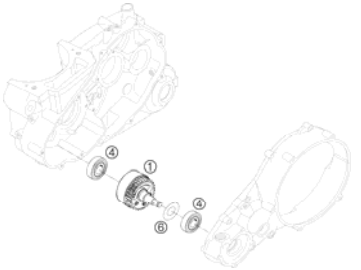

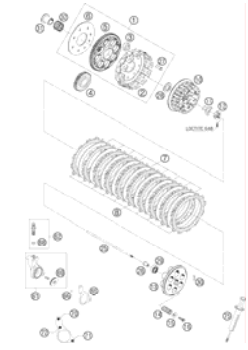
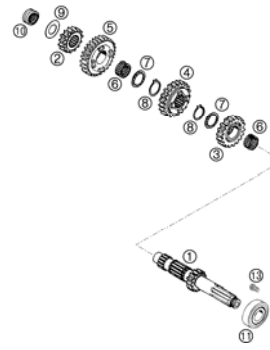
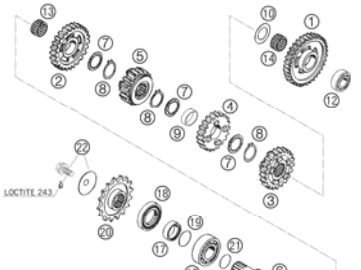

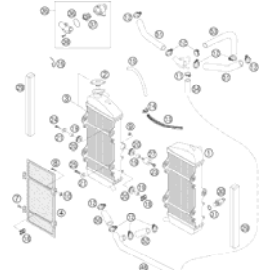
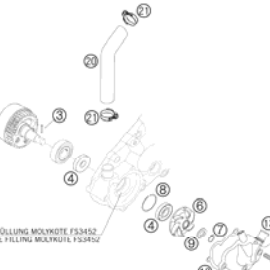
660 RALLYE FAC.REP. 2007



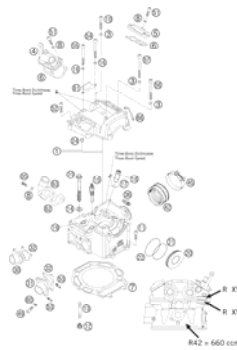

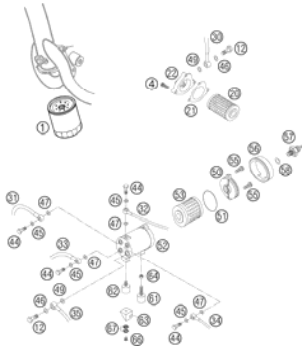
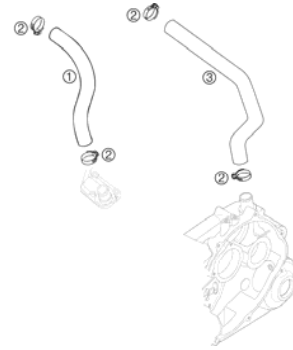
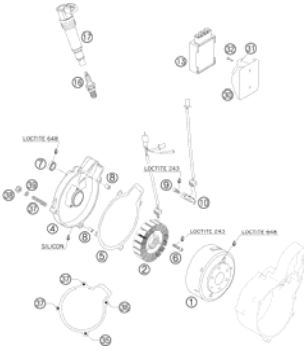
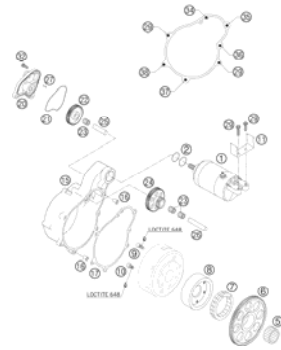
SPARE PARTS MANUAL: ENGINE

ART.NO.: 3CM088249GEN

ENGLISH

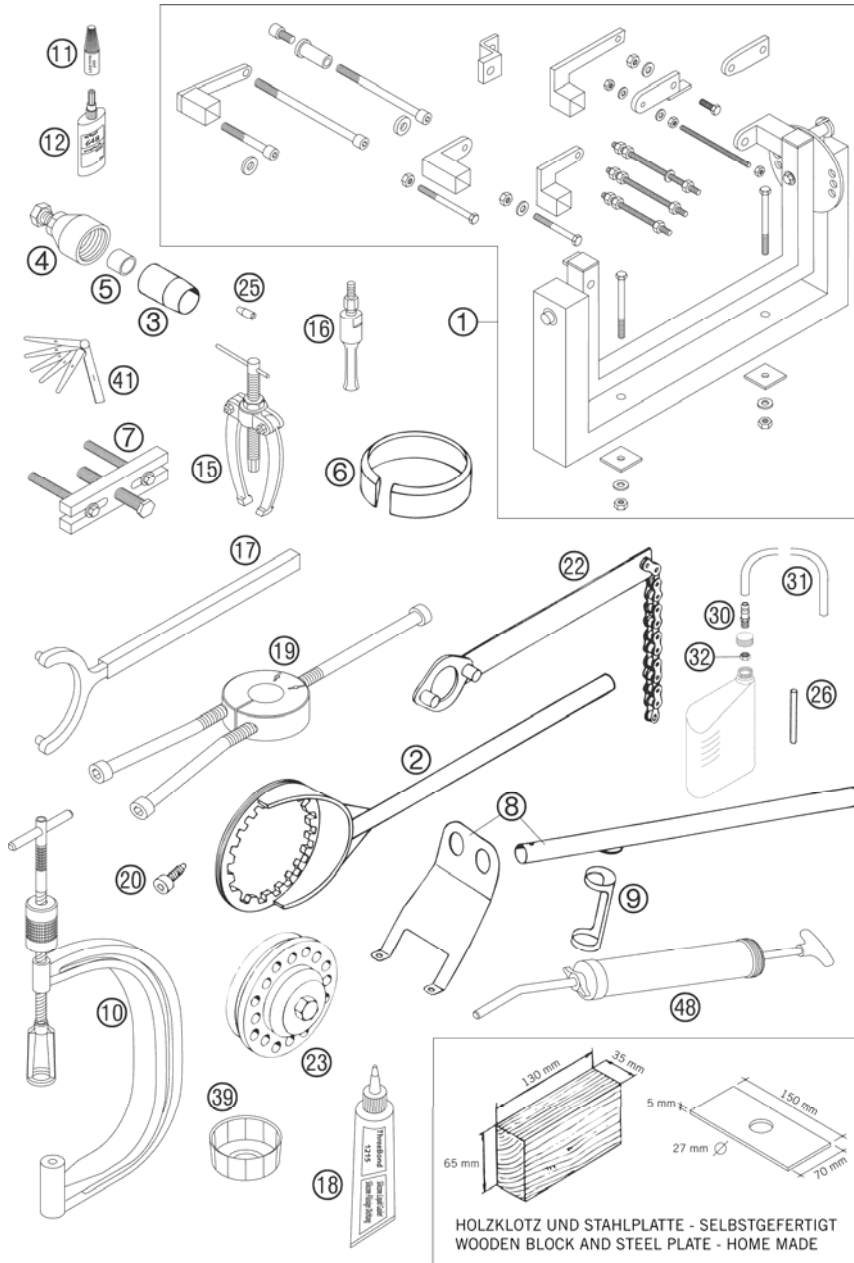


| | | | |
|---|--|---|--|
| SPECIAL TOOLS  3 | ENGINE CASE  4 | CYLINDER  6 | CRANKSHAFT, PISTON  7 |
| BALANCER SHAFT  8 | CARBURETOR  9 | CLUTCH  11 | TRANSMISSION I - MAIN SHAFT  12 |
| TRANSMISSION II - COUNTERSHAFT  13 | SHIFTING MECHANISM  14 | COOLING SYSTEM  15 | WATER PUMP  17 |

| | | | |
|--|---|--|---|
| <p>TIMING VALVE</p>  <p>18</p> | <p>VALVE DRIVE</p>  <p>19</p> | <p>CYLINDER HEAD</p>  <p>20</p> | <p>LUBRICATING SYSTEM</p>  <p>22</p> |
| <p>OIL FILTER</p>  <p>23</p> | <p>ENGINE EXHAUST</p>  <p>24</p> | <p>IGNITION SYSTEM</p>  <p>25</p> | <p>ELECTRIC STARTER</p>  <p>26</p> |
| <div style="display: flex; align-items: center;"> <div style="background-color: #cccccc; width: 60px; height: 100px; display: flex; align-items: center; justify-content: center; margin-right: 20px;"> ! </div> <div> <p>All information contained is without obligation. KTM-Sportmotorcycle AG particularly reserves the right to modify any equipment, technical specifications, prices, colors, shapes, materials, services, service work, constructions, equipment and the like so as to adapt them to local conditions or to cancel any of the above items, all without previous announcement and without giving reasons. KTM may stop manufacturing certain models without previous notice. KTM shall not be held liable for any deviations of availability and/or ability to deliver, illustrations, descriptions, printing and/or other errors. The illustrated models partly contain extra equipment, which is not applied to standard models. © by KTM-SPORTMOTORCYCLE AG, Mattighofen AUSTRIA; All rights reserved; Reprint, also in extracts, with written allowance of KTM-SPORTMOTORCYCLE AG, Mattighofen only.</p> </div> </div> | | | |

SPECIAL TOOLS

660 RALLYE FAC.REP. 2007



| FIG | PART NUMBER | DESCRIPTION | QTY |
|-----|-------------|---|-----|
| 1 | 56012001044 | UNIVERSAL MOUNTING RACK CPL. | 1 |
| 2 | 58329003000 | CLUTCH HOLDER D=160MM LC4'94 | 1 |
| 3 | 58012005025 | MOUNTING SLEEVE D=25MM FOR CRANKSHAFT SEAL L/S | 1 |
| 4 | 58429009000 | MAGNETO EXTRACTOR | 1 |
| 5 | 58429031000 | PROTECTOR CAP F.CRANKSHAFT M16 | 1 |
| 6 | 58529015102 | PISTON RING COMPRESSOR D=102MM 660 LC4 | 1 |
| 7 | 59029021044 | EXTRACTOR PRIM. GEAR CPL. FOR INNER CLUTCH HUB | 1 |
| 8 | 58012019000 | VALVE INSTALLATION KIT | 1 |
| 9 | 6276470 | PUSH INSERT | 1 |
| 10 | 59029019000 | VALVE SPRING LEVER | 1 |
| 11 | 6899785 | LOCTITE 243 BLUE 6CCM | x |
| 12 | 58429059000 | LOCTITE 648 GREEN 24ML | x |
| 15 | 15112017000 | BUSHING EXTRACTOR | 1 |
| 16 | 15112018000 | INTERN.BEAR.PULLER 12-16 MM | 1 |
| 16 | 15112018100 | INTERN.BEAR.PULLER 18-23 MM | 1 |
| 17 | 58429012000 | HOLDING WRENCH FOR WHEEL | 1 |
| 18 | 309098 | SILICON GASKET THREE-BOND | 1 |
| 19 | 58429037040 | MOUNTING TOOL F.BEARING NJ 306 | 1 |
| 19 | 58429037043 | MOUNTING TOOL F.BEARING NJ 207 | 1 |
| 20 | 58030080000 | LOCATING SCREW M8 L=23 | 1 |
| 22 | 51012012000 | HOLDING SPANNER FOR SPROCKET | 1 |
| 23 | 54629027000 | RIVETTING TOOL FOR CLUTCH | 1 |
| 25 | 58529005000 | MOUNT.SLEEVE F. SH.S.RING WAPU | 1 |
| 26 | 58029026007 | LIMIT PLUG GAUGE F.VALVE GUIDE D=7,05 MM | 1 |
| 30 | 59030022000 | BLEEDER FLANGE M8 WS=10 '99 | 1 |
| 31 | 31007107001 | PVC-HOSE 6X9 MM PER METER | x |
| 32 | 0934080003 | HEXAGON NUT DIN0934-M 8 | 1 |
| 39 | 58329039000 | WRENCH SCREW FILTER | 1 |
| 41 | 59029041000 | FEEL. GAUGE SET 10,12,15,20,25 | 1 |
| 48 | 58429048000 | INJEKTION FOR FRONT PIPE '99 DEAERATE FOR FRONT PIPE | 1 |

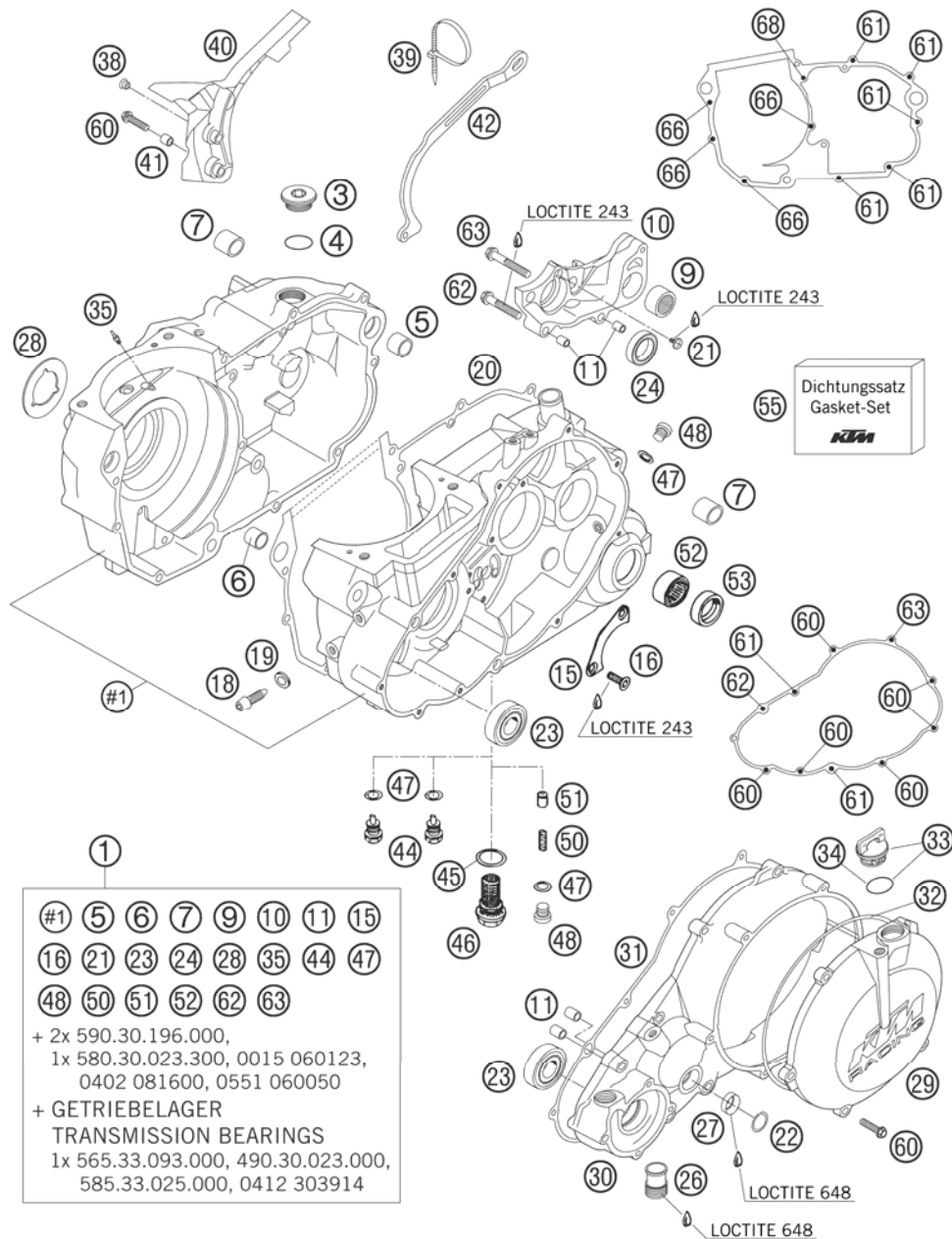
05585290 / C065852900

* NEW PART

X AS REQUIRED

ENGINE CASE

660 RALLYE FAC.REP. 2007



| FIG | PART NUMBER | DESCRIPTION | QTY |
|-----|---------------|--------------------------------------|-----|
| 1 | 5853000054430 | ENGINE CASE CPL.W.TRAN.BEAR.04 BLACK | 1 |
| 3 | 58530088000 | PLUG VISUAL CHECK TRANSMISSION | 1 |
| 4 | 0770020020 | O-RING 20X2 VITON | 1 |
| 5 | 50130027000 | DOWEL 19 X15,1X12 | 1 |
| 6 | 51030026100 | DOWEL 17 X 13 X 12 | 1 |
| 7 | 58530010000 | CRANK SHAFT BUSH RALLYE 2001 | 2 |
| 9 | 58033097000 | NEEDLE BEARING HK 2216 | 1 |
| 10 | 58330011000 | SHIFT MECHANISM SUPPORT LC4'94 | 1 |
| 11 | 49030090000 | DOWEL 9,8 X 7 X 10 | 4 |
| 15 | 56530017000 | RETAINING PLATE | 1 |
| 16 | 0991060166 | FL.HEAD SCR.DIN7991-M6X16 10.9 | 2 |
| 18 | 58530080000 | LOCATING SCREW | 1 |
| 19 | 0603082121 | SEAL RING CU DIN7603- 8X12X1 | 1 |
| 20 | 58530039200 | ENGL.CASE GASKET SIL C-4400 | 1 |
| 21 | 0985050103 | OVAL HEAD SCR. DIN7985-M 5X10 | 1 |
| 22 | 0472200010 | LOCKRING DIN 472 20X1MM | 1 |
| 23 | 0412174012 | CYLIND.ROLL.NJ 203 ECP/C3 2001 | 2 |
| 24 | 0625618050 | BALL BEARING 61805 C3 | 1 |
| 26 | 58030010100 | %HOSE CONNECTOR M20X1,5 SPLICE | 1 |
| 27 | 58430095100 | INSPECT.GLASS GW 20-7 MINERAL | 1 |
| 28 | 58440091000 | STOP DISK 33 X 58 X 1,5 | 1 |
| 29 | 5853002600030 | CLUTCH COVER OUTS.CPL.BLACK 04 | 1 |
| 30 | 5853000100030 | CLUTCH COVER BLACK 2003 | 1 |
| 31 | 58530025000 | CLUTCH COVER GASKET 2001 | 1 |
| 32 | 0770165024 | O-RING 165X2,4 2001 | 1 |
| 33 | 58030020100 | PLUG CPL. M24X3 | 1 |
| 34 | 0770191015 | O-RING 19,00X3,00 NBR | 1 |
| 35 | 60030064090 | OIL JET 90 M6X0,75 WS8 03 | 2 |
| 38 | 54403135000 | PLASTIC CAP SFL10 | 1 |
| 39 | 44011076305 | CABLE TIE 300/4,8MM BLACK | 1 |
| 40 | 58530060000 | SPROCKET COVER RALLYE 2001 | 1 |
| 41 | 54613038150 | BUSHING 6,5X8X11 | 1 |
| 42 | 58530047000 | CHAIN DAMPERSHEET 16/17T RAL. | 1 |
| 44 | 58030021000 | OILDRAIN PLUG W.MAG. M 12X1,5 | 2 |
| 45 | 58038017100 | CU-SEAL RING DIN7603-22X27X2 | 1 |

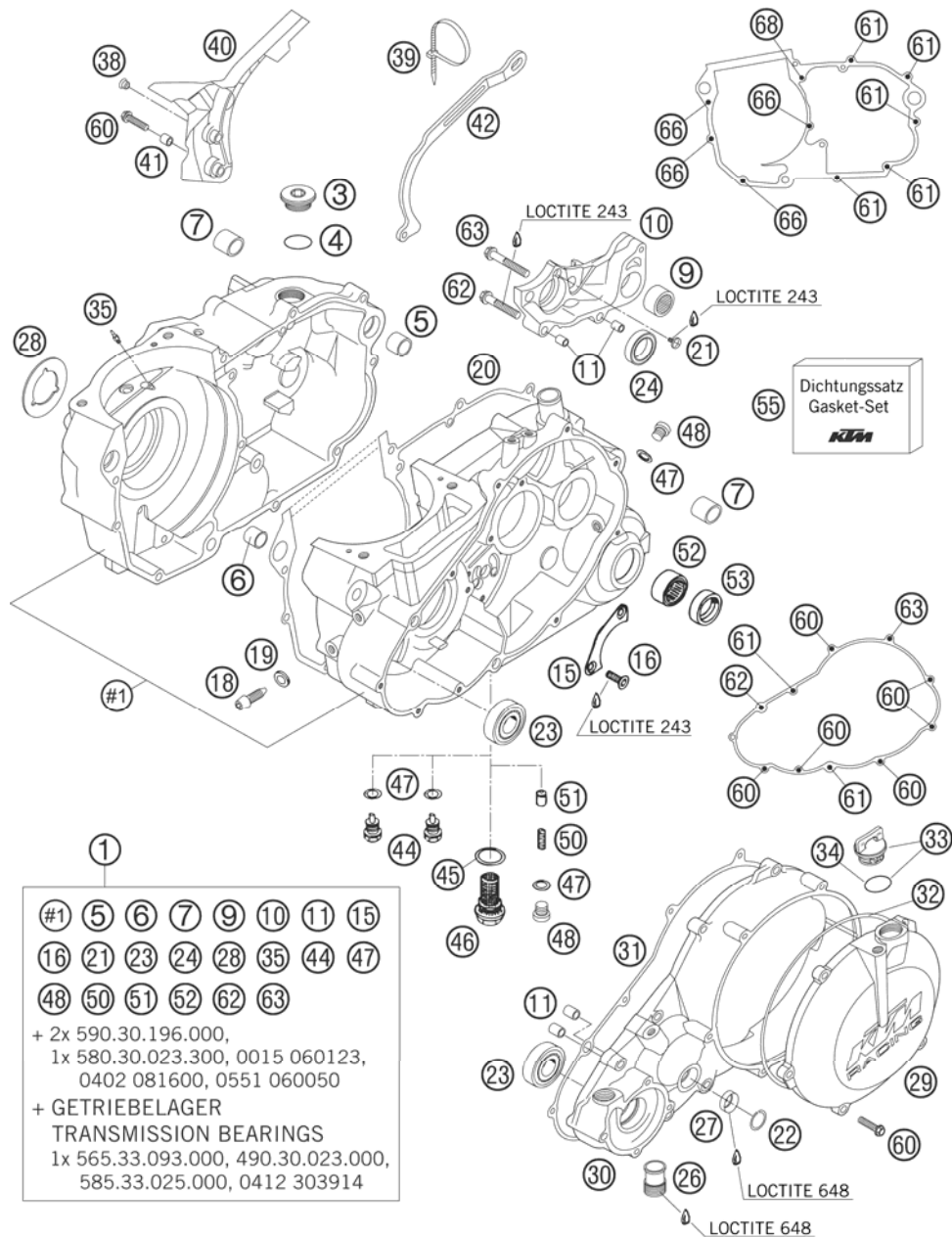
065853000 / C065853000

* NEW PART

X AS REQUIRED

ENGINE CASE

660 RALLYE FAC.REP. 2007



| FIG | PART NUMBER | DESCRIPTION | QTY |
|-----|-------------|--------------------------------|-----|
| 46 | 58038019100 | OIL DRAIN PLUG M22X1,5 | 1 |
| 47 | 58038022000 | CU-SEAL RING DIN7603-12X18X1,5 | 4 |
| 48 | 0908120153 | PLUG DIN0908-M12X1,5 | 2 |
| 50 | 58538023000 | OIL PRES.SPRING 5 BAR RED 2001 | 1 |
| 51 | 58038028000 | VALVE PISTON D=10MM | 1 |
| 52 | 58033090000 | NEEDLE BEARING RNA 4903 | 1 |
| 53 | 0760223270 | SHAFT SEAL RING 22X32X7 BSL | 1 |
| 55 | 58530399100 | GASKET SET 660 RALLYE 03 | 1 |
| 60 | 0015060253 | HH COLLAR SCREW M 6X25 WS=8 | 12 |
| 61 | 0015060303 | HH COLLAR SCREW M 6X30 WS=8 | 7 |
| 62 | 0015060353 | HH COLLAR SCREW M 6X35 WS=8 | 2 |
| 63 | 0015060403 | HH COLLAR SCREW M 6X40 WS=8 | 2 |
| 66 | 0015060553 | HH COLLAR SCREW M 6X55 WS=8 | 4 |
| 68 | 0015060653 | HH COLLAR SCREW M 6X65 WS=8 | 1 |

- ①
- | | | | | | | | |
|----|----|----|----|----|----|----|----|
| #1 | 5 | 6 | 7 | 9 | 10 | 11 | 15 |
| 16 | 21 | 23 | 24 | 28 | 35 | 44 | 47 |
| 48 | 50 | 51 | 52 | 62 | 63 | | |
- + 2x 590.30.196.000,
 1x 580.30.023.300, 0015 060123,
 0402 081600, 0551 060050
 + GETRIEBELAGER
 TRANSMISSION BEARINGS
 1x 565.33.093.000, 490.30.023.000,
 585.33.025.000, 0412 303914

065853000 / C065853000

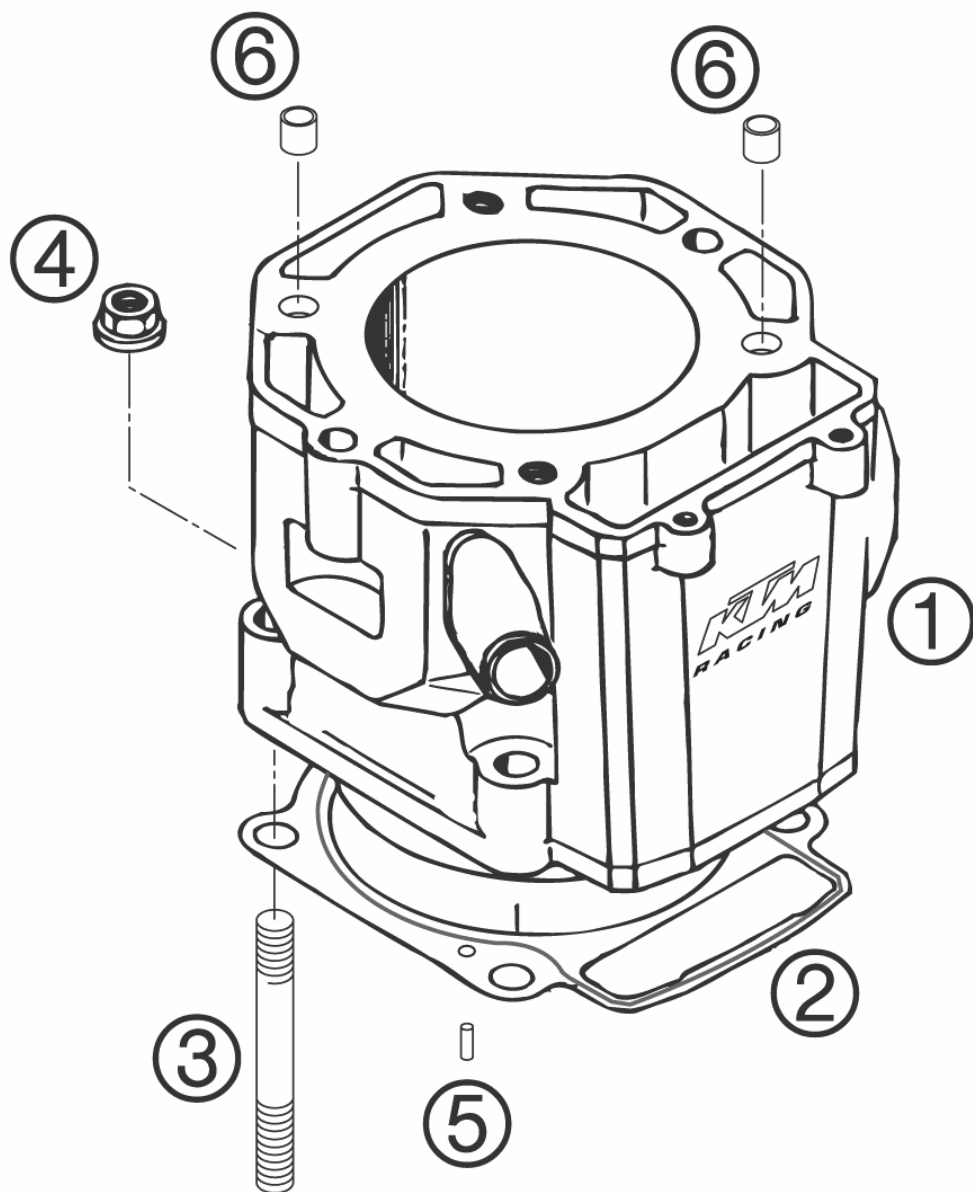
* NEW PART

X AS REQUIRED



CYLINDER

660 RALLYE FAC.REP. 2007



| FIG | PART NUMBER | DESCRIPTION | QTY |
|-----|---------------|---|-----|
| 1 | 5853000530030 | CYLINDER 102MM 660 RAL. BLA.04 BLACK | 1 |
| 2 | 58530035000 | CYL. BASE GASKET 0,33MM 2001 | 1 |
| 3 | 58530043000 | STUD M10X75 | 4 |
| 4 | 0331100003 | COLLAR NUT DIN6923-M10 WS=15 | 4 |
| 5 | 0402040980 | NEEDLE ROL.DIN5402 NRB 4X9,8 | 2 |
| 6 | 58530014000 | DOWEL 10,2X12,5X10 2001 | 2 |

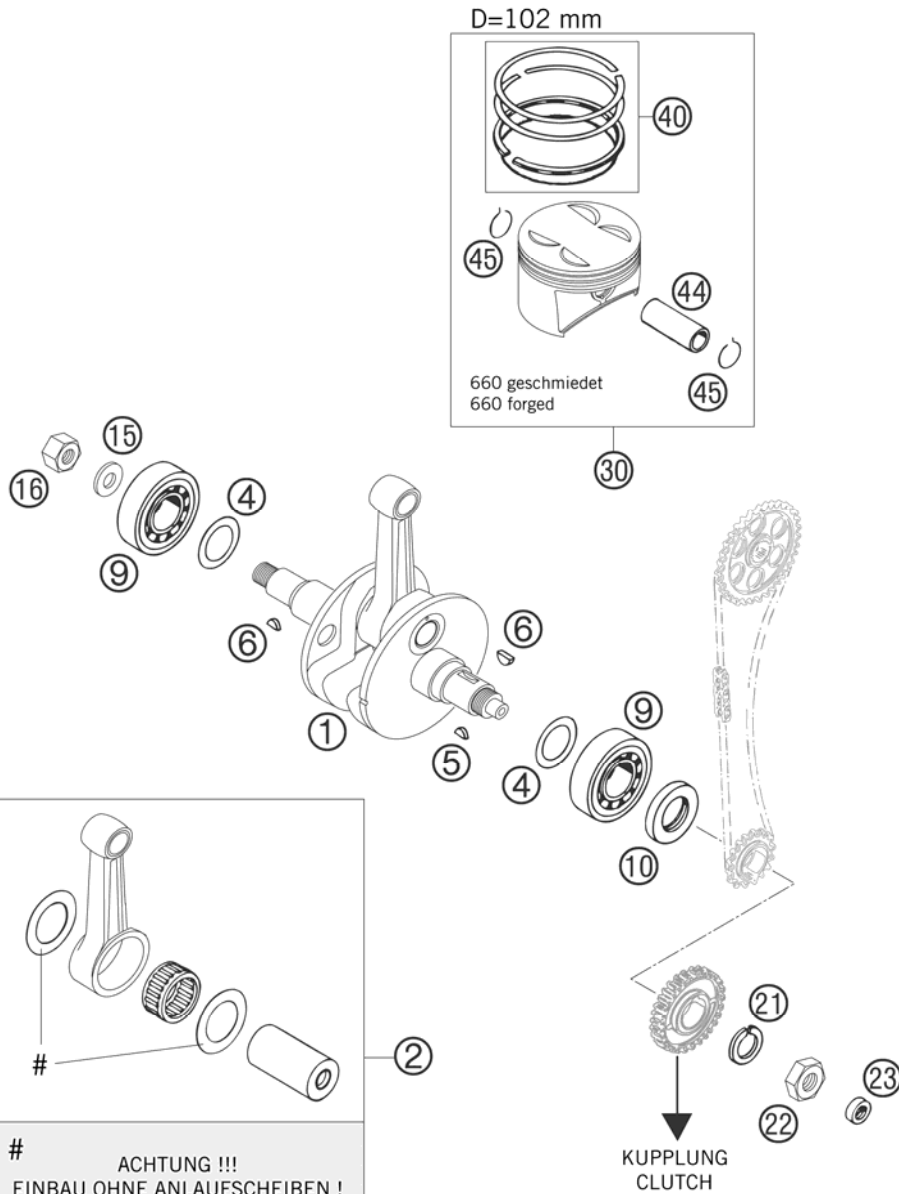
04585304 / C065853001

* NEW PART

X AS REQUIRED

CRANKSHAFT, PISTON

660 RALLYE FAC.REP. 2007



| FIG | PART NUMBER | DESCRIPTION | QTY |
|-----|----------------|--|-----|
| 1 | 58530018300 | CRANKSHAFT CPL. RALLYE 2002 HUB 80MM | 1 |
| 2 | 58530015144 | CONNECT. ROD REPAIR SET LC4 05 640/660 CCM L=141,5MM | 1 |
| 4 | 56530081000 | SHIM WASHER 36X48X0,10 | x |
| 4 | 56530081100 | SHIM WASHER 36X48X0,15 | x |
| 4 | 56530081300 | SHIM WASHER 36X48X0,30 | x |
| 5 | 0888030050 | WOODRUFF KEY DIN6888-3X5X13 | 1 |
| 6 | 6946005 | WOODRUFF KEY 5X6,5 HARDED | 2 |
| 9 | 56530123000 | CYL.ROLLER BEAR. NJ 207 ECP C3 | 2 |
| 10 | 0760304071 | SHAFT SEAL RING 30X40X7 BSL | 1 |
| 15 | 58330095000 | STEEL WASHER 16 X 30 X 3 | 1 |
| 16 | 58430028000 | HEX NUT M16x1,25 L/S | 1 |
| 21 | 58030019000 | LOCKING RING VSK 20 | 1 |
| 22 | 0936200155 | HEXAGON NUT DIN0936-M20X1,5 | 1 |
| 23 | 0760122270 | SHAFT SEAL RING 12 X 22 X 7 B | 1 |
| 30 | 58530007300 I | PISTON I CPL. D=102MM 03 | 1 |
| 30 | 58530007300 II | PISTON II CPL. D=102MM 03 | 1 |
| 40 | 58530031144 | PISTONRING SET ELKO 660 RALLYE | 1 |
| 44 | 58330833000 | PISTON PIN 22 X 13 X 60 | 1 |
| 45 | 58430074000 | CIRCLIP 22 X 1,6 | 2 |

05585302 / C065853002

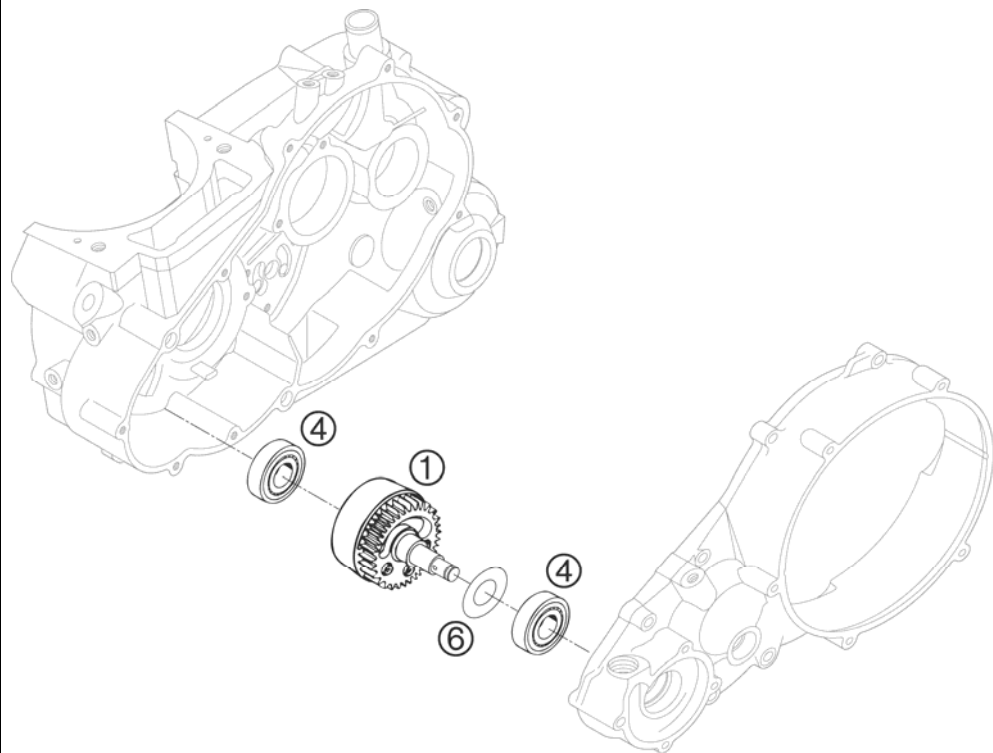
* NEW PART

X AS REQUIRED



BALANCER SHAFT

660 RALLYE FAC.REP. 2007



| FIG | PART NUMBER | DESCRIPTION | QTY |
|-----|-------------|--------------------------------|-----|
| 1 | 58530057144 | BALANCER SHAFT CPL.WAPU RAL.03 | 1 |
| 4 | 0412174012 | CYLIND.ROLL.NJ 203 ECP/C3 2001 | 2 |
| 6 | 0988172410 | SHIM WASHER DIN988-17X24X0,1 | 2 |

03585304 / C065853004

* NEW PART

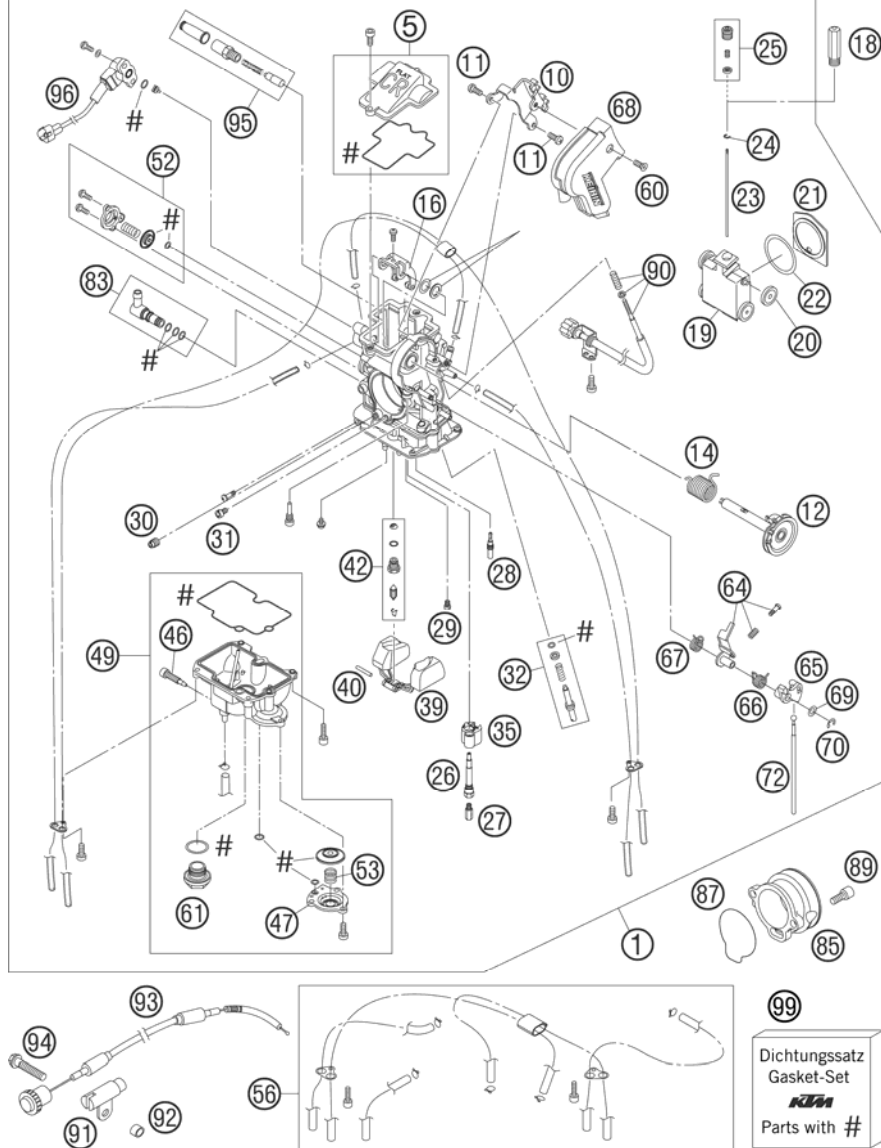
X AS REQUIRED

CARBURETOR

660 RALLYE FAC.REP. 2007

ACHTUNG !!!
Vor dem Einbau des Vergasers,
Bedüsung kontrollieren.

CAUTION !!!
Before mounting the carburetor,
check the jetting.



| FIG | PART NUMBER | DESCRIPTION | QTY |
|-----|-------------|--------------------------------|-----|
| 1 | 58531001000 | CARBURETOR 4100A BSKJ RALLYE06 | 1 |
| 5 | 57331027044 | CARBURETOR COVER WITH GASKET | 1 |
| 10 | 57331080000 | BRACKET PLATE FOR THR. CABLE | 1 |
| 11 | 57331055000 | SCREW M 5 X 8 | 2 |
| 12 | 57331046000 | THROTTLE SHAFT CPL. | 1 |
| 14 | 57331046050 | COIL SPRING THROTTLE SHAFT | 1 |
| 16 | 57331035051 | LINK ARM THROTTLE VALVE CPL. | 1 |
| 18 | 58331029014 | SLIDE STOP L=34,5MM 03 | 1 |
| 19 | 57331035000 | THROTTLE VALVE CPL. | 1 |
| 20 | 59031035050 | BUSHING THROTTLE VALVE | 4 |
| 21 | 57331035153 | GASKET PLATE THROTTLE VALVE 04 | 1 |
| 22 | 59031035052 | GASKET WASHER THROTTLE VALVE | 1 |
| 23 | 57331034100 | JET NEEDLE KEIHIN OBEKP | x |
| 23 | 57331034200 | JET NEEDLE KEIHIN OBEKQ | x |
| 23 | 57331034300 | JET NEEDLE KEIHIN OBEKR | 1 |
| 23 | 57331034400 | JET NEEDLE KEIHIN OBEKS | x |
| 23 | 57331034500 | JET NEEDLE KEIHIN OBEKT | x |
| 24 | 59031029000 | BAR CLIP | 1 |
| 25 | 57331032000 | NEEDLE SET SCREW CPL. | 1 |
| 26 | 59031121000 | NEEDLE JET FCR-MX | 1 |
| 27 | 54531623172 | MAIN JET 172 KEIHIN | x |
| 27 | 54531623175 | MAIN JET 175 KEIHIN | 1 |
| 27 | 54531623178 | MAIN JET 178 KEIHIN | x |
| 27 | 54531623180 | MAIN JET 180 KEIHIN | x |
| 27 | 54531623182 | MAIN JET 182 KEIHIN | x |
| 27 | 54531623185 | MAIN JET 185 KEIHIN | x |
| 28 | 54531607042 | IDLE JET 42 KEIHIN | x |
| 28 | 54531607045 | IDLE JET 45 KEIHIN | x |
| 28 | 54531607048 | IDLE JET 48 KEIHIN | 1 |
| 29 | 59031051085 | STARTER JET 85 | 1 |
| 30 | 57331007100 | IDLE AIR JET 100 KEIHIN | 1 |
| 31 | 57331037200 | MAIN AIR JET 200 KEIHIN | 1 |
| 32 | 59031017100 | ADJUST SCREW CPL. FCR-MX | 1 |
| 35 | 57331085000 | BUFFER PLATE | 1 |
| 39 | 57331009000 | FLOAT CPL. | 1 |
| 40 | 57331008000 | ARM PIN FLOAT | 1 |

065853100 / C065853100

* NEW PART

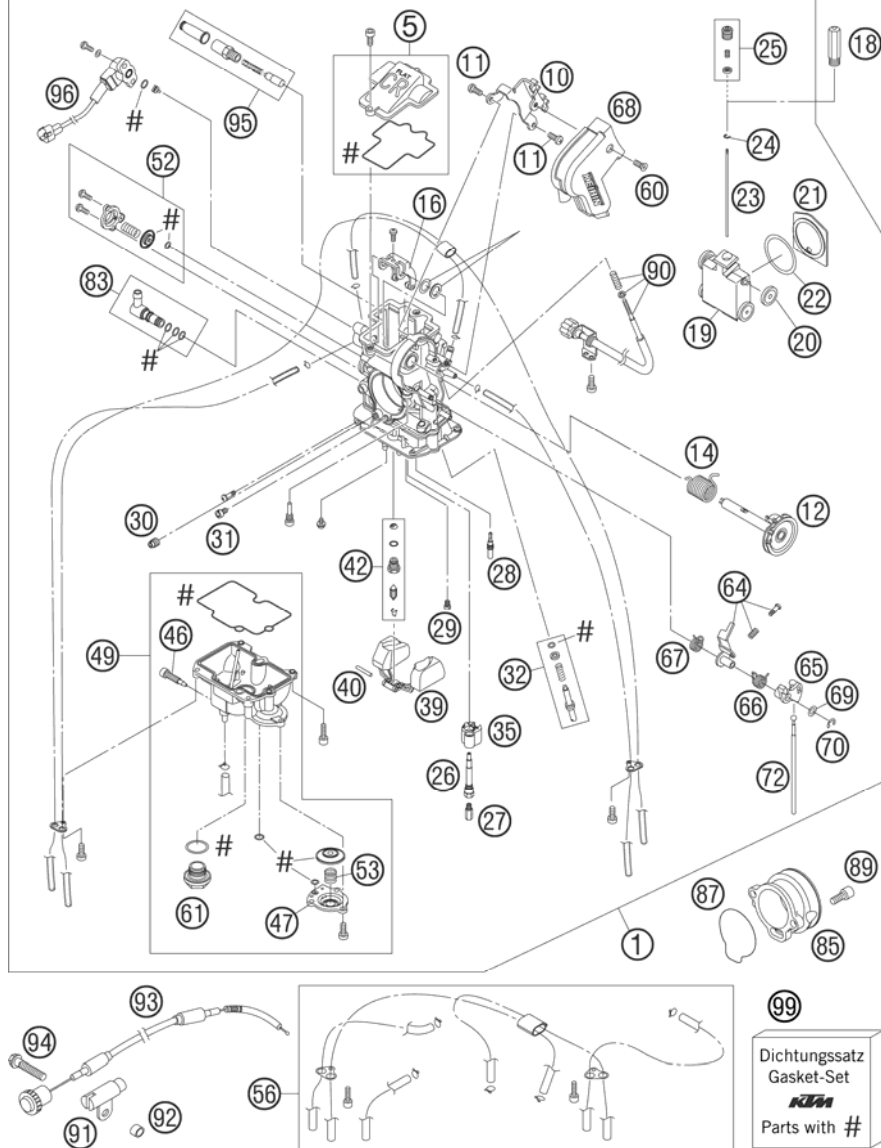
X AS REQUIRED

CARBURETOR

660 RALLYE FAC.REP. 2007

ACHTUNG !!!
Vor dem Einbau des Vergasers,
Bedüsung kontrollieren.

CAUTION !!!
Before mounting the carburetor,
check the jetting.



| FIG | PART NUMBER | DESCRIPTION | QTY |
|-----|-------------|--------------------------------|-----|
| 42 | 5733102000 | NEEDLE VALVE CPL. | 1 |
| 46 | 57331155000 | DRAIN SCREW FLOAT CHAMBER | 1 |
| 47 | 57331060000 | COVER ACCELERATOR PUMP | 1 |
| 49 | 57331011000 | FLOAT CHAMBER CPL. SET | 1 |
| 52 | 57331090000 | AIR CUT VALVE 2002 | 1 |
| 53 | 59031059000 | COIL SPRING | 1 |
| 56 | 57331098000 | BREATH.HOSE FCR-MX KEIHIN CPL. | 1 |
| 60 | 0965050103 | FLAT HEAD SCREW DIN0965-M 5X10 | 1 |
| 61 | 54531699000 | PLUG M 18X1 | 1 |
| 64 | 57331062000 | INTERMEDIATE LEVER CPL. | 1 |
| 65 | 57331056000 | LINK LEVER | 1 |
| 66 | 57331059000 | SPRING LINK LEVER | 1 |
| 67 | 57331159000 | SPRING INTERMEDIATE LEVER | 1 |
| 68 | 57331038000 | CARBURETOR COVER | 1 |
| 69 | 57331087000 | WASHER LINK LEVER | 1 |
| 70 | 57331084000 | E-CLIP | 1 |
| 72 | 57331061000 | ROD ACCELERATOR PUMP | 1 |
| 83 | 59031013044 | HOSE CONNECTOR CPL. | 1 |
| 85 | 59031040200 | INTAKE FUNNEL FCR/FCR-MX 02 | 1 |
| 87 | 59031040010 | O-RING FOR INTAKE FUNNEL | 1 |
| 89 | 0912050123 | AH SCREW DIN0912-M 5X12 | 2 |
| 90 | 57331025000 | STOP SCREW CPL. FCR-MX | 1 |
| 91 | 58302095251 | SLEEVE FOR CHOKE CABLE | 1 |
| 92 | 50208020000 | SPACER BUSHING 7X10X7,5 | 1 |
| 93 | 58502095200 | CHOKE CABLE RALLYE 2001 | 1 |
| 94 | 0015060403 | HH COLLAR SCREW M 6X40 WS=8 | 1 |
| 95 | 58502096000 | CONNECTION CHOKE-CABLE 2001 | 1 |
| 96 | 57331077100 | TPS-SENSOR FCRMX 320MM 03-04 | 1 |
| 99 | 57331099000 | GASKET SET FCR-MX KEIHIN | 1 |

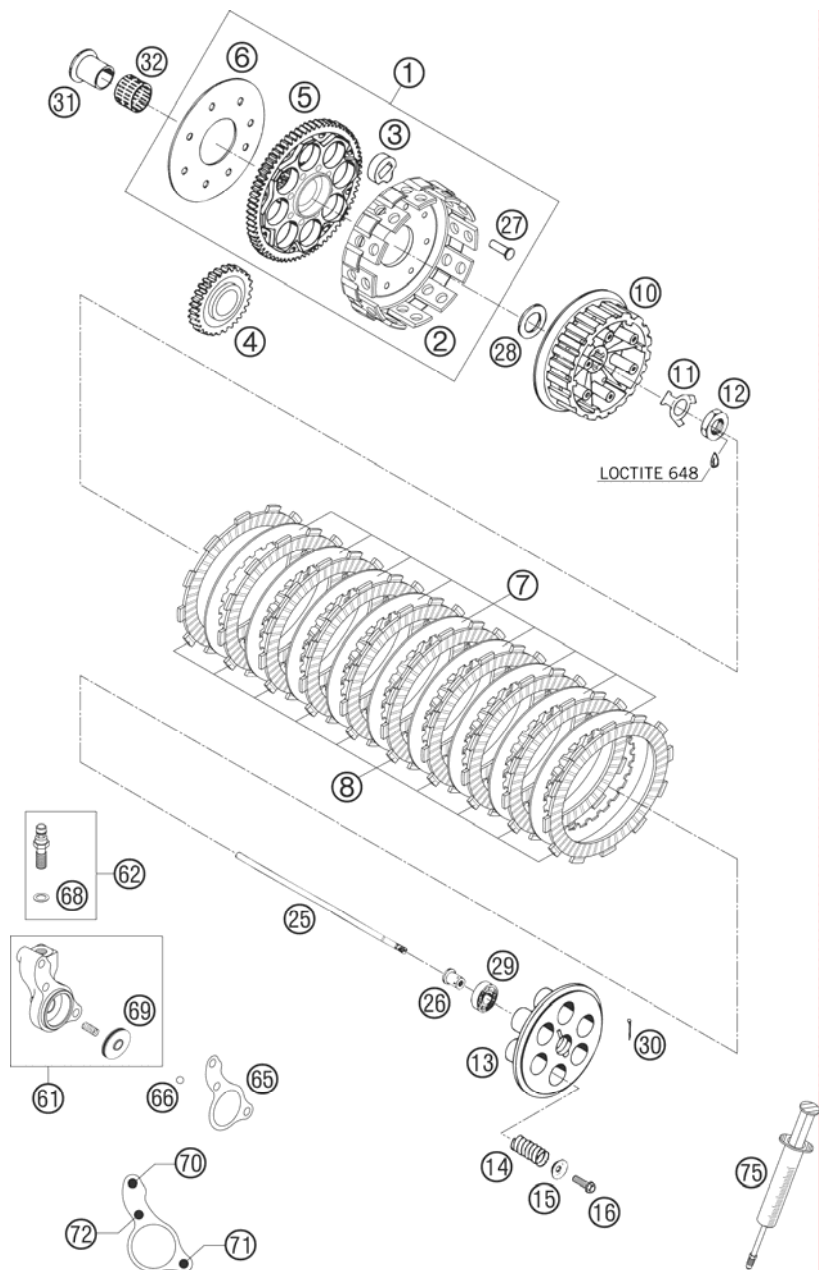
065853100 / C065853100

* NEW PART

X AS REQUIRED

CLUTCH

660 RALLYE FAC.REP. 2007



| FIG | PART NUMBER | DESCRIPTION | QTY |
|-----|-------------|---------------------------------------|-----|
| 1 | 58532001144 | OUTER CLUT. HUB CPL. RALLYE 01 | 1 |
| 2 | 58532001100 | OUTER CLUTCH HUB MILLED 2001 | 1 |
| 3 | 58332026000 | DAMPING ELEMENT '94 | 8 |
| 4 | 58532000131 | PRIMARY GEAR WHEEL 31-T 2001 | 1 |
| 5 | 58532000079 | CLUTCH WHEEL 79-T 2001 | 1 |
| 6 | 58332028000 | BRACKET 57 x 132 x 1,5 '94 | 1 |
| 7 | 58332112000 | STEEL DISK 1,5 MM LC4'94 | 9 |
| 8 | 58332011300 | LINING DISK 2,7MM FCC 02 | 10 |
| 10 | 58532002100 | INNER CLUTCH HUB RALLYE 2004 | 1 |
| 11 | 58332018000 | LOCK WASHER '94 | 1 |
| 12 | 0936181505 | HEXAGON NUT DIN0936-M18X1,5 R. | 1 |
| 13 | 58332003300 | PRESSURE CAP LC4/LC4-E 04 | 1 |
| 14 | 58332080000 | CLUTCH SPRING 2,8 X 37 | 6 |
| 15 | 58132081000 | SPRING RETAINER 6,2 X 20 X 3,2 | 6 |
| 16 | 0015060203 | HH COLLAR SCREW M 6X20 WS=8 | 6 |
| 25 | 58332017000 | PUSH ROD 224 MM LC4'94 | 1 |
| 26 | 58332032000 | PRESSURE BOLT LC4'94 | 1 |
| 27 | 58332007000 | RIVET 6 X 23 X 11,2 | 8 |
| 28 | 57532013000 | SUPPORTWASHER 22,2X35X3 HARDE. | 1 |
| 29 | 0625060016 | GROOV.BALL BEAR. 6001.2RSR C3 | 1 |
| 30 | 0094020163 | PIN DIN0094-2,0X16 | 1 |
| 31 | 50332070000 | INNER RING WITH COLLAR | 1 |
| 32 | 56532095000 | NEEDLE BEARING K26X30X22ZW.KSE | 1 |
| 61 | 58532061044 | CYLINDER D=25MM CPL. RALLYE 01 | 1 |
| 62 | 50332062000 | HOLLOW SCREW CPL. M 10X1 '98 | 1 |
| 65 | 58632065000 | CLUTCH RELEASE GASKET | 1 |
| 66 | 0401070003 | BALL DIN5401-7 | 1 |
| 68 | 42013226000 | CU-SEAL RING DIN7603-10X16X1 | 1 |
| 69 | 58532066000 | PISTON WITH O-RING D=25MM 2001 | 1 |
| 70 | 0912060303 | AH SCREW DIN0912-M 6X30 | 1 |
| 71 | 0984060163 | AH SCREW DIN6912-M 6X16 WITH LOW HEAD | 1 |
| 72 | 0912060253 | AH SCREW DIN0912-M 6X25 | 1 |
| 75 | 50329050000 | VENT INJEKTION HYDR. CLUTCH | 1 |

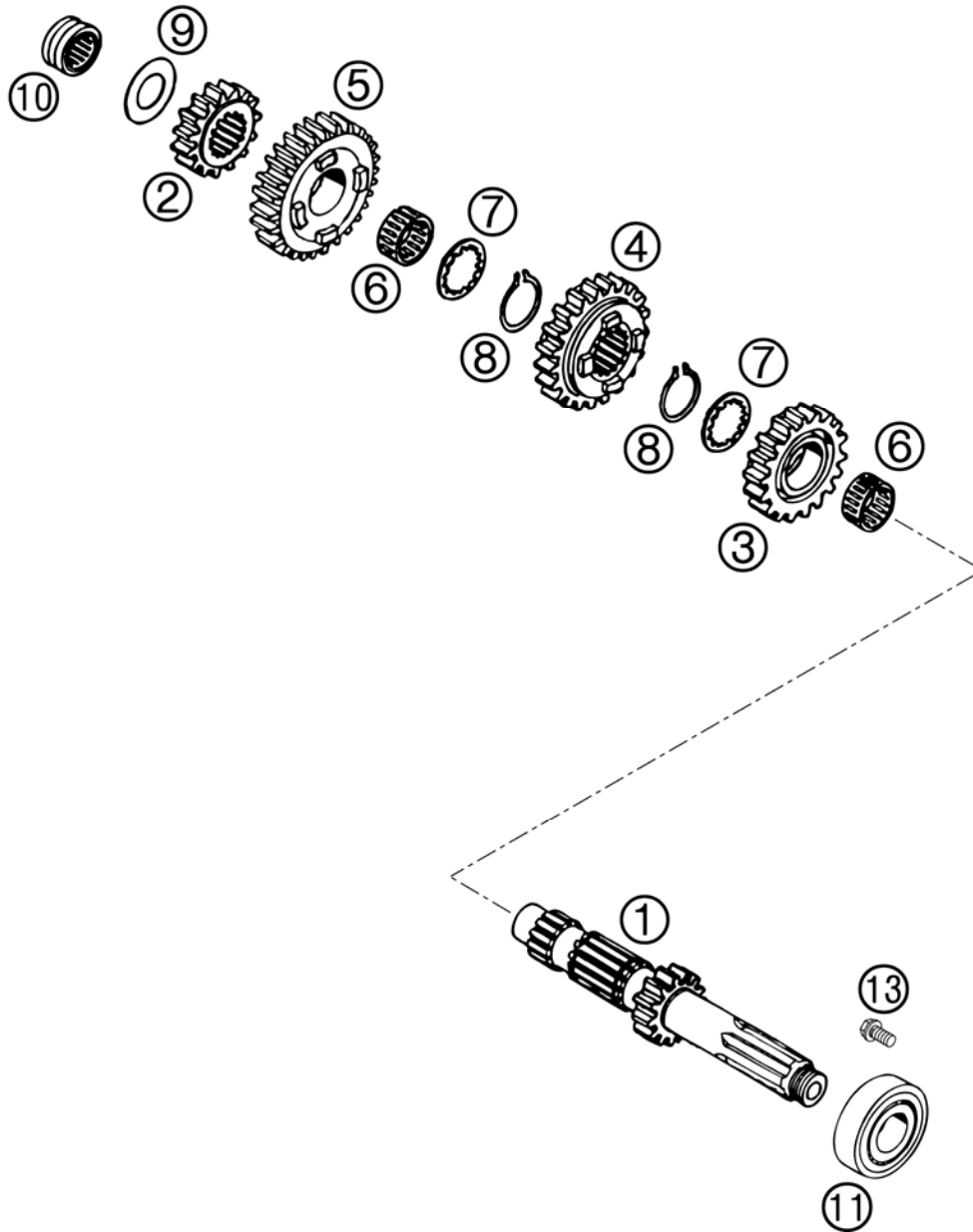
05585320 / C075853200

* NEW PART

X AS REQUIRED

TRANSMISSION I - MAIN SHAFT

660 RALLYE FAC.REP. 2007



| FIG | PART NUMBER | DESCRIPTION | QTY |
|-----|-------------|--------------------------------|-----|
| 1 | 58333002000 | MAIN SHAFT 15T '94 | 1 |
| 2 | 56533010300 | SOLID GEAR 2.G 15-T (2G3) | 1 |
| 3 | 58333004002 | IDLER GEAR 3.G 18-T "02" | 1 |
| 4 | 58333006004 | SLIDING GEAR 4.G 20-T "04" | 1 |
| 5 | 58333008008 | IDLER GEAR 5.G 22-T "08" | 1 |
| 6 | 58533021000 | NEEDLE BEAR. K22X26X13 DIVIDED | 2 |
| 7 | 56533016300 | STOP DISK 22,7 X 32 X 1,5 | 2 |
| 8 | 52033096000 | LOCK RING DINO471-25X1,64SD | 2 |
| 9 | 56533015000 | STOP DISK 20,2 X 35 X 1 | 1 |
| 10 | 56533093000 | NEEDLE BEARING RNA 4902 KSE | 1 |
| 11 | 58533025000 | CYL.ROLL BEARING BC1-0076A | 1 |
| 13 | 0015060123 | HH COLLAR SCREW M 6X12 WS=8 | 1 |

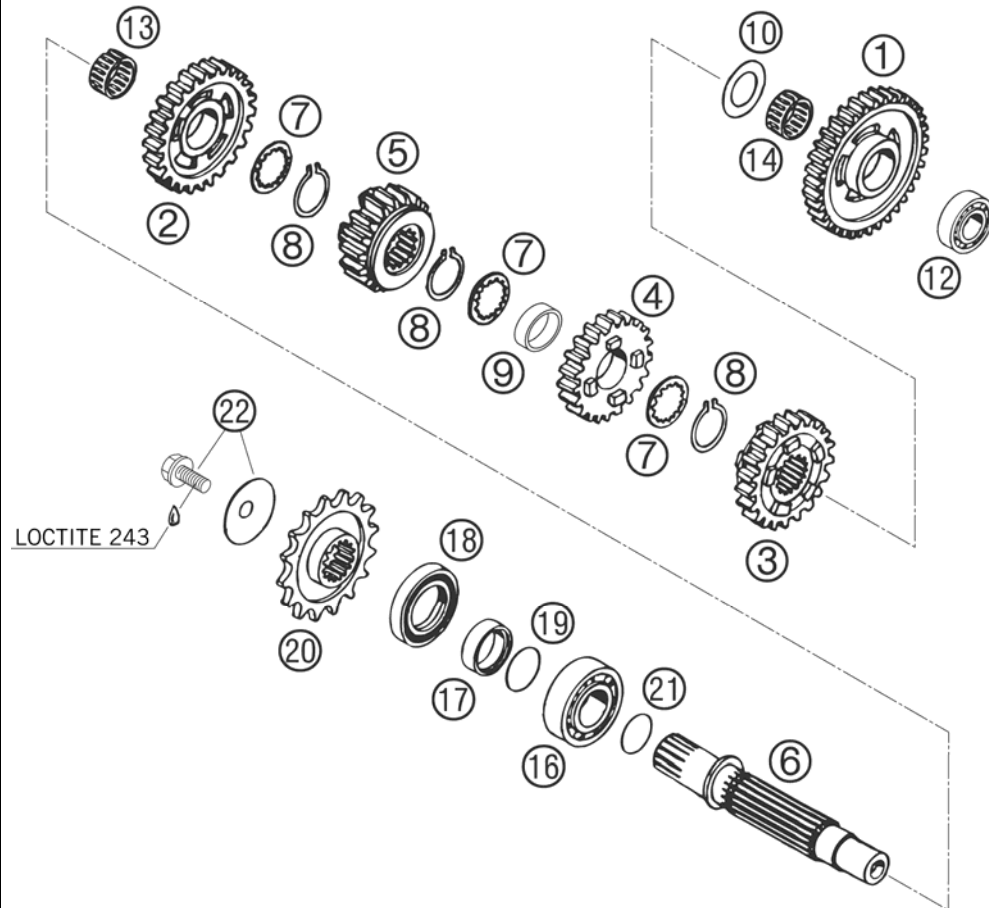
03583330 / C065853300

* NEW PART

X AS REQUIRED

TRANSMISSION II - COUNTERSHAFT

660 RALLYE FAC.REP. 2007



| FIG | PART NUMBER | DESCRIPTION | QTY |
|-----|-------------|--------------------------------|-----|
| 1 | 57533005000 | IDLER GEAR 1ST GEAR 33T(1M4)93 | 1 |
| 2 | 58333113010 | IDLER GEAR 2.G 24-T "10" | 1 |
| 3 | 58333007003 | SLIDING GEAR 3.G 21-T "03" | 1 |
| 4 | 58533009012 | IDLER GEAR 4.G 19-T 04 | 1 |
| 5 | 58333011009 | SLIDING GEAR 5.G 18-T "09" | 1 |
| 6 | 58533010000 | COUNTERSHAFT 15-T 04 | 1 |
| 7 | 56533016300 | STOP DISK 22,7 X 32 X 1,5 | 3 |
| 8 | 52033096000 | LOCK RING DINO471-25X1,64SD | 3 |
| 9 | 58533022000 | BUSHING BOX 04 | 1 |
| 10 | 56533018300 | STOP DISK 22,2 X 35 X 1,5 | 1 |
| 12 | 0412303914 | CYL.ROLL BEARING NJ204ECP/C3 | 1 |
| 13 | 58533021000 | NEEDLE BEAR. K22X26X13 DIVIDED | 1 |
| 14 | 56533098000 | NEEDLE BEARING K22X26X13H | 1 |
| 16 | 49030023000 | CYL.ROLL BEARING NJ205 | 1 |
| 17 | 58033017000 | SPACER BUSHING | 1 |
| 18 | 0760324771 | SHAFT SEAL RING 32X47X7 BSL | 1 |
| 19 | 0770250021 | O-RING 25,00X2,00 SILICONE | 1 |
| 20 | 58033029014 | ENGINE SPROCKET 14 T | x |
| 20 | 58033029015 | ENGINE SPROCKET 15 T | x |
| 20 | 58033029016 | ENGINE SPROCKET 16 T | 1 |
| 21 | 0770220010 | O-RING 22,00X1,00 NBR 70 | 1 |
| 22 | 59033034044 | SCREW+SPRING WASHER | 1 |

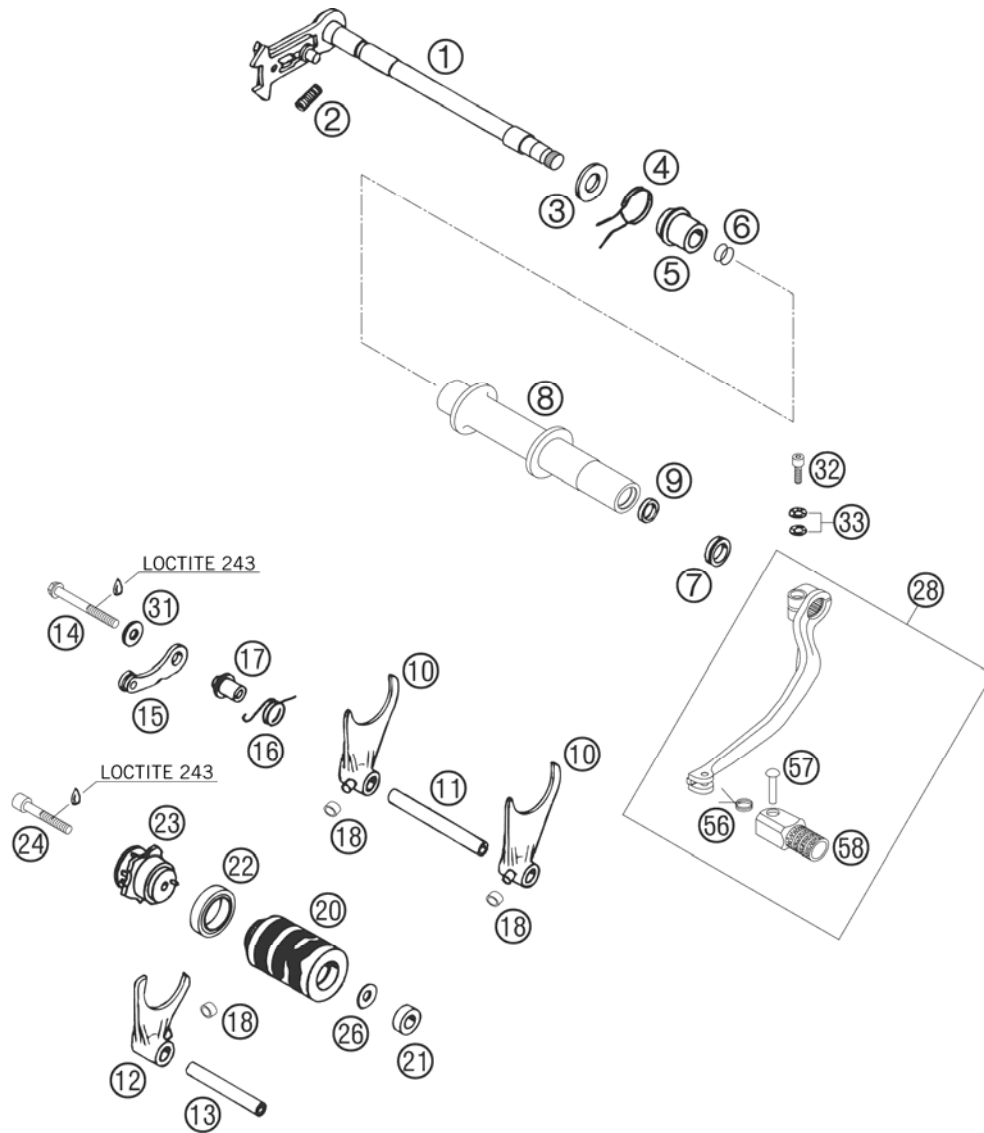
05585331 / C065853301

* NEW PART

X AS REQUIRED

SHIFTING MECHANISM

660 RALLYE FAC.REP. 2007



| FIG | PART NUMBER | DESCRIPTION | QTY |
|-----|-------------|--------------------------------|-----|
| 1 | 58534005044 | SHIFT SHAFT WELDED 2001 | 1 |
| 2 | 56534013100 | TENSIONING SPRING 0,8MM | 1 |
| 3 | 58034010000 | STEEL WASHER 14 X 28 X 2 | 1 |
| 4 | 58034014000 | RETURN SPRING | 1 |
| 5 | 58334020000 | SPRING SLEEVE | 1 |
| 6 | 0770125020 | O-RING 12,50X2,00 NBR 70 | 2 |
| 7 | 58033027000 | V-SEAL RING V-14-A | 1 |
| 8 | 58534006000 | SPACER SHAFT 2001 | 1 |
| 9 | 54632090000 | SEAL RING DH/GR 12X16X3 | 1 |
| 10 | 58034002300 | SHIFT FORK 1ST/4TH+2ND GEAR'98 | 2 |
| 11 | 58034004000 | SHIFT RAIL 1ST/4TH + 2ND GEAR | 1 |
| 12 | 58034001300 | SHIFT FORK 3RD/5TH GEAR '98 | 1 |
| 13 | 58034003000 | SHIFT RAIL 3RD/5TH GEAR | 1 |
| 14 | 0015060653 | HH COLLAR SCREW M 6X65 WS=8 | 1 |
| 15 | 58334024044 | LOCKING LEVER CPL. '94 | 1 |
| 16 | 58034023500 | SPRING | 1 |
| 17 | 58334017000 | SPRING SLEEVE | 1 |
| 18 | 50334018100 | SHIFTING ROLLER 6X8X5,2 | 3 |
| 20 | 58334012100 | SHIFT ROLLER ALU '98 | 1 |
| 21 | 0625006087 | GROOVED BALL BEAR. 608 2RS C3 | 1 |
| 22 | 0625618050 | BALL BEARING 61805 C3 | 1 |
| 23 | 58434015044 | SHIFT LOCATING DRUM CPL. '98 | 1 |
| 24 | 0912060404 | AH SCREW DIN0912-M 6X40 A2 | 1 |
| 26 | 51006097000 | WASHER 6,2X22X1,ST30,W.GALV. | 1 |
| 28 | 58534031144 | SHIFT LEVER CPL. 05 | 1 |
| 31 | 50232050000 | WASHER 6,2X18X2 | 1 |
| 32 | 0912060203 | AH SCREW DIN0912-M 6X20 | 1 |
| 33 | 50233041000 | PAIR OF WASHERS M 6 NORDLOCK | 1 |
| 56 | 54634032100 | SHIFTING LEVER SPRING 250 | 1 |
| 57 | 54634031050 | BOLT 6X25 FOR SHIFT LEVER | 1 |
| 58 | 54634131000 | STEP PLATE FOR SHIFT LEVER 250 | 1 |

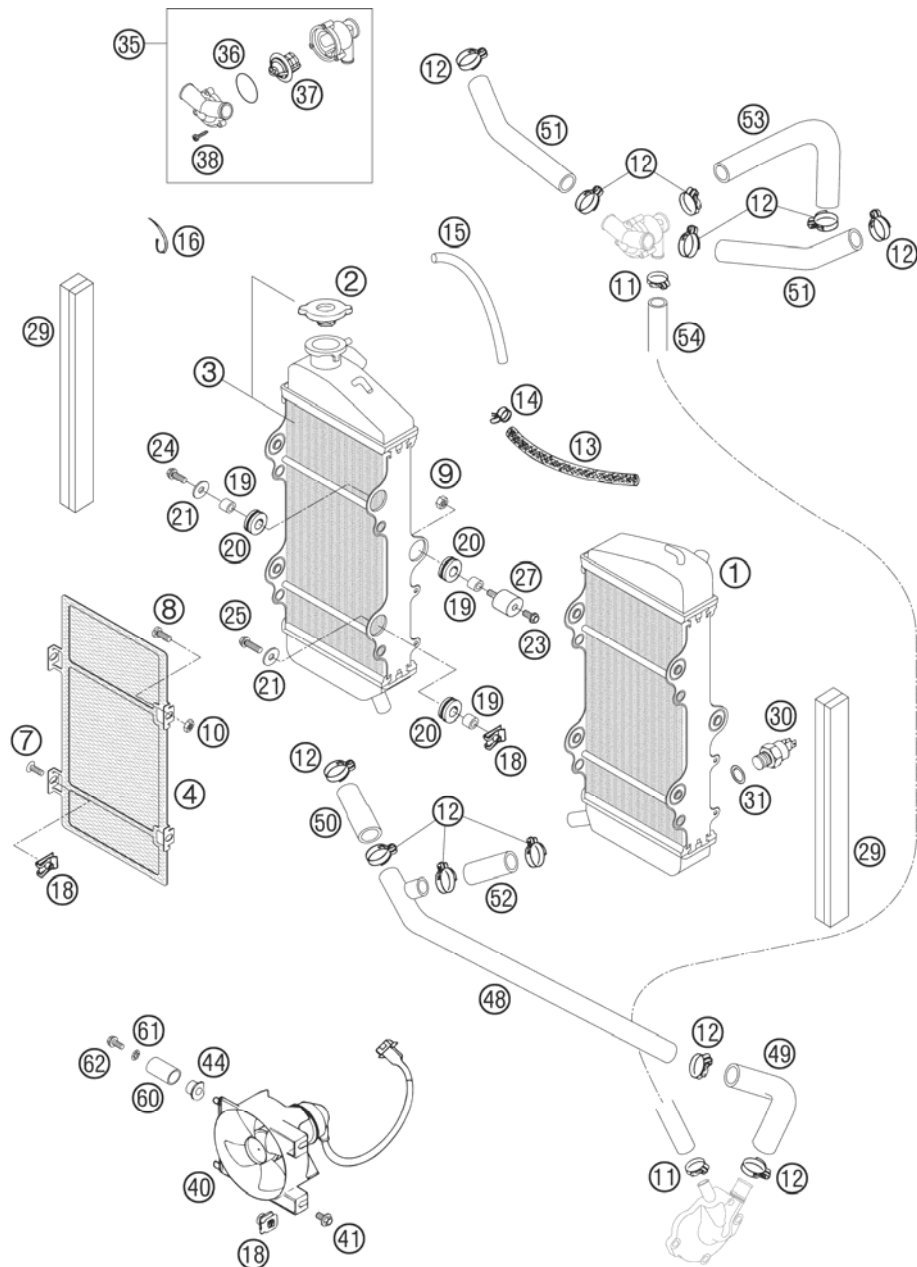
05585340 / C065853400

* NEW PART

X AS REQUIRED

COOLING SYSTEM

660 RALLYE FAC.REP. 2007



| FIG | PART NUMBER | DESCRIPTION | QTY |
|-----|-------------|--------------------------------|-----|
| 1 | 58535007000 | RADIATOR L/S RALLYE 2001 | 1 |
| 2 | 58035016000 | RADIATOR CAP SMALL 20,3 PSI | 1 |
| 3 | 58535008000 | RADIATOR R/S RALLYE 2001 | 1 |
| 4 | 58503007000 | RADIATOR PROTECTOR CPL. L/S 01 | 1 |
| 4 | 58503008000 | RADIATOR PROTECTOR CPL. R/S 01 | 1 |
| 7 | 0991060163 | FLAT HEAD SCR. DIN7991-M 6X16 | 4 |
| 8 | 0085060160 | PLASTIC-SCREW M6X16 MM | 4 |
| 9 | 0985060003 | SELF LOCK. NUT DIN0985-M 6 | 2 |
| 10 | 0934060003 | HEXAGON NUT DIN0934-M 6 | 4 |
| 11 | 58335099000 | HOSE CLAMP GEMI 10-16 | 2 |
| 12 | 10001020000 | HOSE CLAMP GEMI 16-27 | 12 |
| 13 | 54435024001 | HOSE ID 7,5 PER METER | x |
| 14 | 58031005000 | CLAMP YDNAC 10128 12MM | 2 |
| 15 | 55007016001 | PVC-HOSE 7X10 PER METER | x |
| 16 | 44011076200 | CABLE TIE 200/3,6MM BLACK | x |
| 18 | 50235033300 | SNAP-NUT HOLDER M6 KP142 | 10 |
| 19 | 58011039100 | BUSHING 6,5X11,2X10 | 6 |
| 20 | 41001052000 | RUBBER SLEEVE D=12MM | 6 |
| 21 | 0021060003 | WASHER DIN9021-A 6,4 | 4 |
| 23 | 0015060123 | HH COLLAR SCREW M 6X12 WS=8 | 2 |
| 24 | 0015060163 | HH COLLAR SCREW M 6X16 WS=8 | 2 |
| 25 | 0015060203 | HH COLLAR SCREW M 6X20 WS=8 | 2 |
| 27 | 43205062100 | RUBBER GROMMET 20X15-M6X10 (1) | 2 |
| 29 | 58107011000 | FOAM RUBBER STRIP | 2 |
| 30 | 58035045000 | THERMOSWITCH 80-85 DG '94 | 1 |
| 31 | 0603142015 | ALU SEALRING DIN7603-14X20X1,5 | 1 |
| 35 | 58535013044 | THERMO.CASE CPL.55 DEGREES 05 | 1 |
| 36 | 0770320020 | O-RING 32,00X2,00 | 1 |
| 37 | 54635017000 | THERMOSTAT 55 DEGREES '94 | 1 |
| 38 | 0016040183 | SCREW FOR PLASTIC D=4X18 | 3 |
| 40 | 58535041044 | FAN CPL. WITH HOUSING L/S 05 | 1 |
| 40 | 58535141044 | FAN CPL. WITH HOUSING R/S 05 | 1 |
| 41 | 0014060103 | HH COLLAR SCREW M 6X10 WS=8 | 4 |
| 44 | 44106018000 | PLASTIC CAP | 2 |
| 48 | 58535020008 | ALU TUBE 18X22 RADIA.D./WAPU | 1 |
| 49 | 58535020007 | PREFORMED H.90°CURVE TUBE/WAPU | 1 |

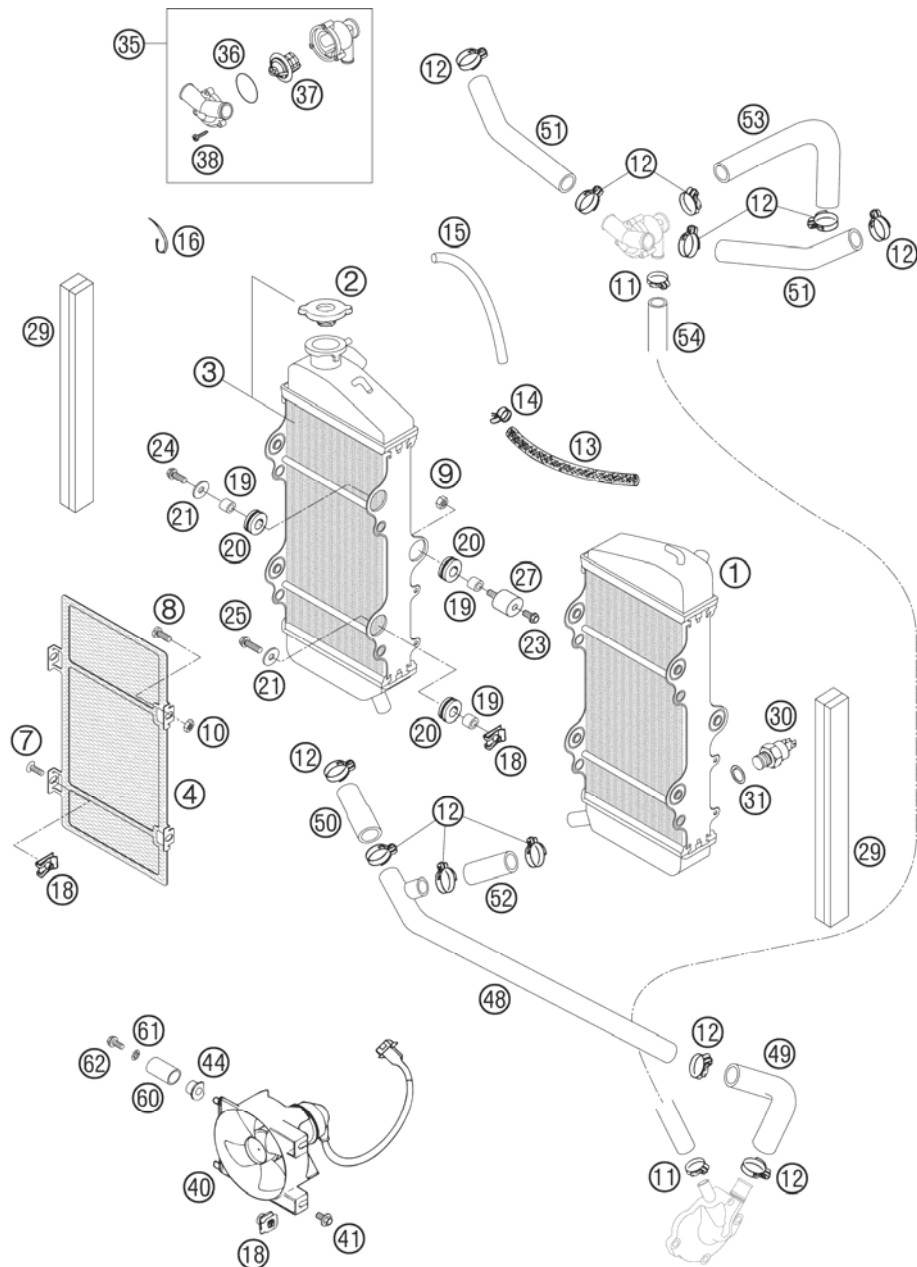
05585350 / C065853500

* NEW PART

X AS REQUIRED

COOLING SYSTEM

660 RALLYE FAC.REP. 2007



| FIG | PART NUMBER | DESCRIPTION | QTY |
|-----|-------------|--------------------------------|-----|
| 50 | 58535020005 | PREFORMED H. 18X25/21X28 50MM | 1 |
| 51 | 58535020004 | PREFORMED HOSE 30°CURVE 18X25 | 2 |
| 52 | 58535020006 | PREFORMED H.18X25/50 RAD.D-ALU | 1 |
| 53 | 58535020002 | PREFORMED H. 90°CURVE 18X26 01 | 1 |
| 54 | 58035024001 | RADIATOR HOSE 12 X 3 MM | x |
| 60 | 58535050000 | RADIATOR BUSHING 2001 | 2 |
| 61 | 0797050003 | TOOTH LOCK WASH. DIN6797-J 5,3 | 2 |
| 62 | 0015050123 | HH COLLAR SCREW M 5X12 WS=8 | 2 |

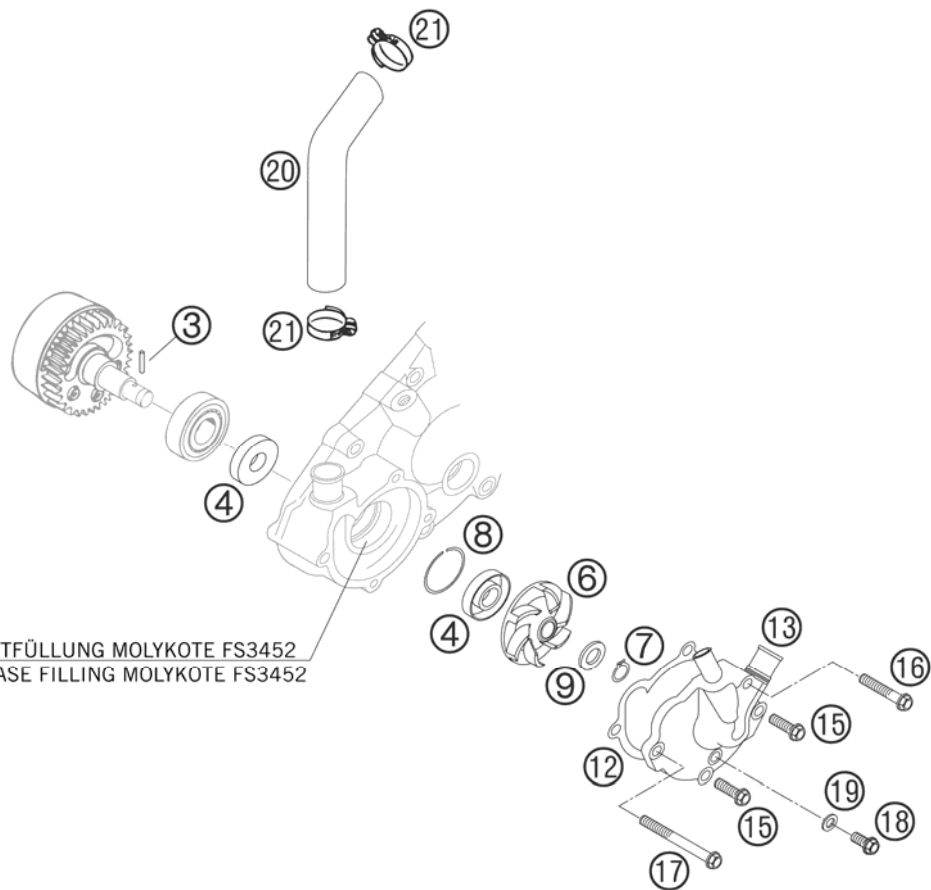
05585350 / C065853500

* NEW PART

X AS REQUIRED

WATER PUMP

660 RALLYE FAC.REP. 2007



FETTFÜLLUNG MOLYKOTE FS3452
GREASE FILLING MOLYKOTE FS3452

| FIG | PART NUMBER | DESCRIPTION | QTY |
|-----|-------------|--------------------------------|-----|
| 3 | 0402031780 | NEEDLE ROL.DIN5402 NRB 3X17,8 | 1 |
| 4 | 0760123070 | SHAFT SEAL RING 12X30X7 2001 | 2 |
| 6 | 58535055100 | WATER PUMP WHEEL 04 | 1 |
| 7 | 0471100011 | CIRCLIP DIN0471-10X1 | 1 |
| 8 | 0472030012 | CIRCLIP DIN0472-30X1,2 | 1 |
| 9 | 58535057000 | WASHER 10X16X1 A2 (NIRO) 04 | 1 |
| 12 | 58535053000 | WATER PUMP COVER GASKET 2001 | 1 |
| 13 | 58535052144 | WATER PUMP COVER CPL. SP 04 | 1 |
| 15 | 0015060203 | HH COLLAR SCREW M 6X20 WS=8 | 2 |
| 16 | 0015060353 | HH COLLAR SCREW M 6X35 WS=8 | 1 |
| 17 | 0015060603 | HH COLLAR SCREW M 6X60 WS=8 | 1 |
| 18 | 0015060103 | HH COLLAR SCREW M 6X10 WS=8 | 1 |
| 19 | 58036065100 | CU-SEAL RING 6 X 10 X 2 | 1 |
| 20 | 58535020001 | PREFORMED H. 18X25 WAPU-CYL.01 | 1 |
| 21 | 10001020000 | HOSE CLAMP GEMI 16-27 | 2 |

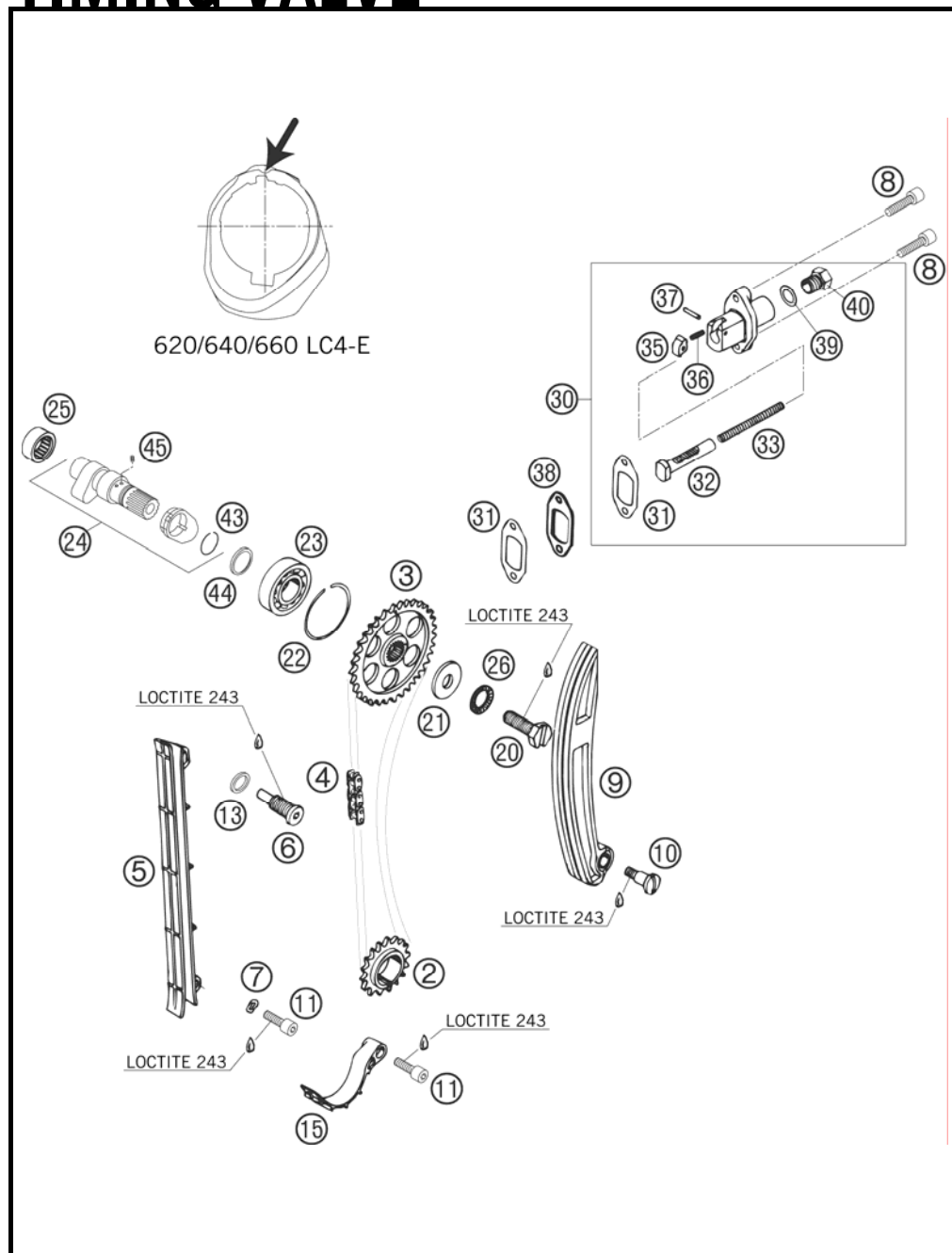
05585351 / C065853501

* NEW PART

X AS REQUIRED

TIMING VALVE

660 RALLYE FAC.REP. 2007

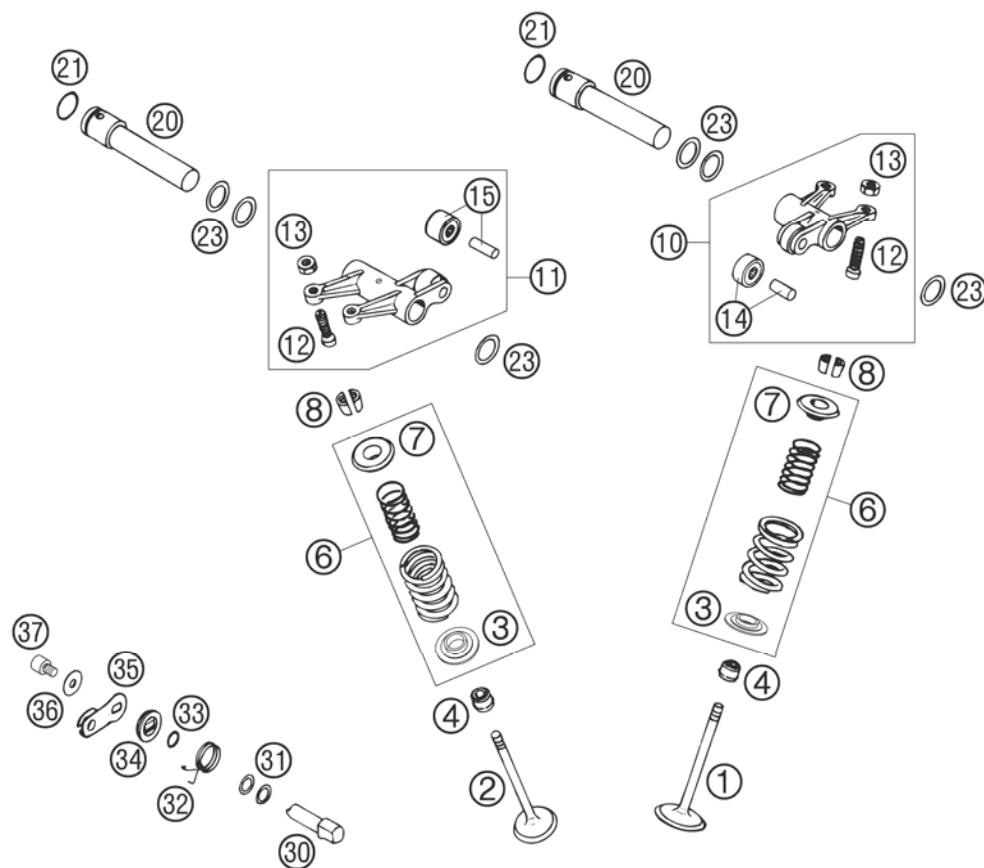


| FIG | PART NUMBER | DESCRIPTION | QTY |
|-----|-------------|--------------------------------|-----|
| 2 | 58036014000 | TIMING GEAR 17-T | 1 |
| 3 | 58336011001 | CAMSHAFT GEAR 34-T "01" '94 | 1 |
| 4 | 58036013000 | TIMING CHAIN C107C / 100 LINKS | 1 |
| 5 | 58036001000 | TIMING CHAIN GUIDE | 1 |
| 6 | 58036009000 | CHAIN GUIDE SCREW | 1 |
| 7 | 0137060003 | SPRING WASHER DIN0137-B 6 | 1 |
| 8 | 0912060253 | AH SCREW DIN0912-M 6X25 | 2 |
| 9 | 58536002044 | CHAIN TENSIONER RALLYE | 1 |
| 10 | 0923080120 | FLAT HEAD SCR. M 8X12 | 1 |
| 11 | 0912060208 | AH SCREW DIN0912-M 6X20 SS | 2 |
| 13 | 58038022100 | CU-SEAL RING 12 X 16 X 2 | 1 |
| 15 | 58336018000 | SECURING GUIDE | 1 |
| 20 | 58336112000 | DRIVING SCREW M10X25 | 1 |
| 21 | 58036012000 | STEEL WASHER 10 X 28 X 3 | 1 |
| 22 | 58036096000 | CIRCLIP SB 42 | 1 |
| 23 | 0625060040 | GROOVED BALL BEARING TMB004 | 1 |
| 24 | 58536010044 | CAMSHAFT RALLYE CPL. 2001 | 1 |
| 25 | 58036097000 | NEEDLE BEARING BK 2012 | 1 |
| 26 | 36003014200 | LOCKING WASHER 10MM | 1 |
| 30 | 58036003144 | AUTOM.TENSIONER CPL. '88 | 1 |
| 31 | 58036005100 | TENSIONER GASKET 1,5 MM | 2 |
| 32 | 58036004100 | PRESSURE BOLT | 1 |
| 33 | 58036006100 | PRESSURE SPRING 0,9MM | 1 |
| 35 | 58036007100 | RATCHETING PAWL | 1 |
| 36 | 58036007050 | PRES.SPRING F.RATCHETING PAWL | 1 |
| 37 | 0402031780 | NEEDLE ROL.DIN5402 NRB 3X17,8 | 1 |
| 38 | 58536003050 | FLANGEPL. F. AUTOM. TENSIONER | 1 |
| 39 | 58038022000 | CU-SEAL RING DIN7603-12X18X1,5 | 1 |
| 40 | 58036008100 | PLUG M12X1,5 | 1 |
| 43 | 0417200120 | CIRCLIP WS20 | 1 |
| 44 | 58336015000 | STEPPED RING | 1 |
| 45 | 58336016052 | SPRING FOR AUTO-DECOMPR. '95 | 1 |

05585361 / C065853601

* NEW PART

X AS REQUIRED



| FIG | PART NUMBER | DESCRIPTION | QTY |
|-----|-------------|--------------------------------|-----|
| 1 | 58036030000 | INTAKE VALVE D=36 MM | 2 |
| 2 | 58536031000 | EXHAUST VALVE D=32 MM 2001 | 2 |
| 3 | 57336036000 | VALVE SPRING HOLDER GRADED | 4 |
| 4 | 58036028000 | VALVE-STEAM SEALING | 4 |
| 6 | 58536029044 | VALVE SPRING KIT RALLYE 2001 | 4 |
| 7 | 58036032700 | VALVE-SPRING RETAINER ALU '95 | 4 |
| 8 | 58036033000 | VALVE COLLET MK7 | 8 |
| 10 | 58536060144 | ROCKER ARM INTAKE CPL. 2005 | 1 |
| 11 | 58536061144 | ROCKER ARM EXHAUST CPL. 2005 | 1 |
| 12 | 58036062600 | ADJUSTMENT SCREW CPL. M 7X0,75 | 4 |
| 13 | 0934070756 | HEXAGON NUT DIN0934-M 7X0,75 | 4 |
| 14 | 58036061090 | ROCKER ARM ROLLER CPL. INTAKE | 1 |
| 15 | 58336061090 | ROCKER ARM ROLLER CPL. EXHAUST | 1 |
| 20 | 58536056100 | ROCKER ARM SHAFT L=96MM 7,2MM | 2 |
| 21 | 58036095000 | O-RING 15,08 X 2,62 NBR 70 | 2 |
| 23 | 0988162202 | THRUST WASH.DIN0988-16X22X0,20 | x |
| 23 | 0988162205 | THRUST WASH. DIN0988-16X22X0,5 | x |
| 23 | 0988162210 | THRUST WASHER DIN0988-16X22X1 | x |
| 30 | 58036050100 | DECOMPRESSION SHAFT | 1 |
| 31 | 54334015000 | WASHER 10X14X0,5 STEEL | x |
| 31 | 54334015100 | WASHER 10X14X0,3 STEEL | x |
| 31 | 54334015200 | WASHER 10X14X0,15 STEEL | x |
| 32 | 58036059200 | DECOMP.LEVER SPRING | 1 |
| 33 | 0770100221 | O-RING 10,00X2,20 SILICONE | 1 |
| 34 | 58036048000 | COVER DISK | 1 |
| 35 | 58036049500 | DECOMPRESSION LEVER | 1 |
| 36 | 0021060003 | WASHER DIN9021-A 6,4 | 1 |
| 37 | 0912060103 | AH SCREW DIN0912-M 6X10 | 1 |

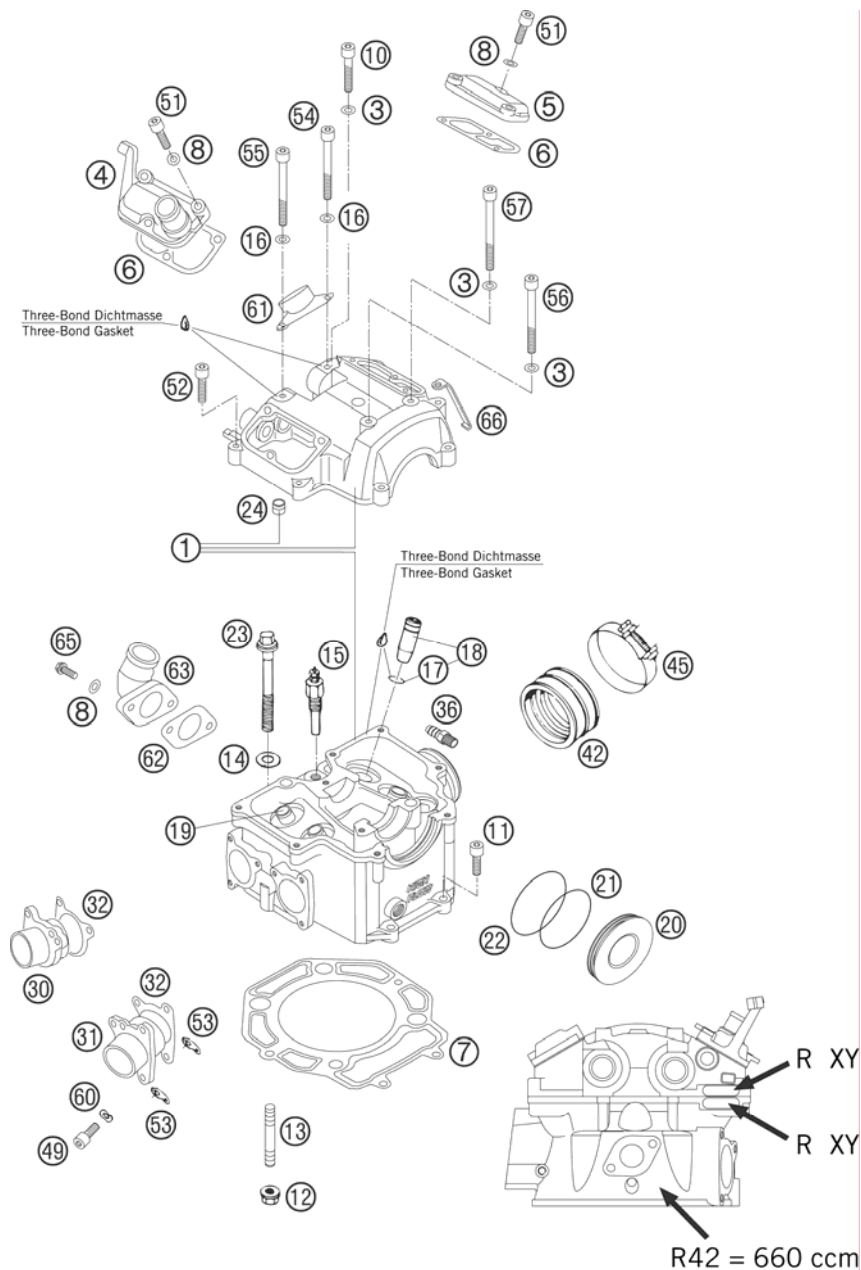
05584363 / C065853603

* NEW PART

X AS REQUIRED

CYLINDER HEAD

660 RALLYE FAC.REP. 2007



| FIG | PART NUMBER | DESCRIPTION | QTY |
|-----|---------------|--------------------------------|-----|
| 1 | 5853602030023 | CYLINDERHEAD CPL. GREY 2003 | 1 |
| 3 | 58036065100 | CU-SEAL RING 6 X 10 X 2 | 3 |
| 4 | 58036152600 | VALVE COVER FRONT '99 | 1 |
| 5 | 58036052200 | VALVE COVER REAR | 1 |
| 6 | 58036053000 | VALVE COVER GASKET | 2 |
| 7 | 58530036100 | CYLINDER HEAD GASKET D=102 01 | 1 |
| 8 | 0603061001 | CU-SEAL RING DIN7603-6X10X1 | 8 |
| 10 | 0912060353 | AH SCREW DIN0912-M 6X35 | 1 |
| 11 | 0912060253 | AH SCREW DIN0912-M 6X25 | 2 |
| 12 | 49030028000 | COLLAR NUT M8 | 2 |
| 13 | 54330043000 | STUD DIN0835-M 8X40 | 2 |
| | | 600/612/620/640/660 LC4 | |
| 14 | 0125100003 | WASHER DIN0125-A10,5 | 4 |
| 15 | 42011252000 | TEMPERATURE SWITCH VDO | 1 |
| 16 | 0603070122 | CU-SEAL RING DIN7603- 7X12X2 | 2 |
| 17 | 0993012000 | CIRCLIP DIN7993-RW12 | 4 |
| 18 | 58036026644 | VALVE GUIDE INTAKE CPL. | 2 |
| 19 | 58036126644 | VALVE GUIDE EXHAUST CPL. | 2 |
| 20 | 58536065000 | PLUG COVER 2001 | 1 |
| 21 | 0770047015 | O-RING 47,00X1,50 NBR 70 | 1 |
| 22 | 0770049025 | O-RING 49,00X2,50 NBR | 1 |
| 23 | 58036099100 | COLLAR SCREW M10X80 WS=13 10.9 | 4 |
| 24 | 58530090000 | DOWEL BUSHING 9,8X7,2X10 | 1 |
| | | NOTCH, MARKING | |
| 30 | 58536040000 | EXHAUST FLANGE R/S RALLYE 2001 | 1 |
| 31 | 58536140000 | EXHAUST FLANGE L/S RALLYE 2001 | 1 |
| 32 | 58036041000 | EXHAUST FLANGE GASKET | 2 |
| 36 | 58336020090 | VACUUM CONNECTION M 6X1 | 1 |
| 42 | 58536044000 | INTAKE BOOT RALLYE 2001 | 1 |
| 45 | 59030061000 | CLAMP D=56MM B=9MM M4X25 | 2 |
| 49 | 0912060163 | AH SCREW DIN0912-M 6X16 | 6 |
| 51 | 0912060203 | AH SCREW DIN0912-M 6X20 | 6 |
| 52 | 0912060253 | AH SCREW DIN0912-M 6X25 | 6 |
| 53 | 51005074000 | RETAINING PLATE | 4 |
| 54 | 0912070551 | AH SCREW DIN0912-M 7X55 12.9 | 1 |
| 55 | 0912070601 | AH SCREW DIN0912-M 7X60 12.9 | 1 |

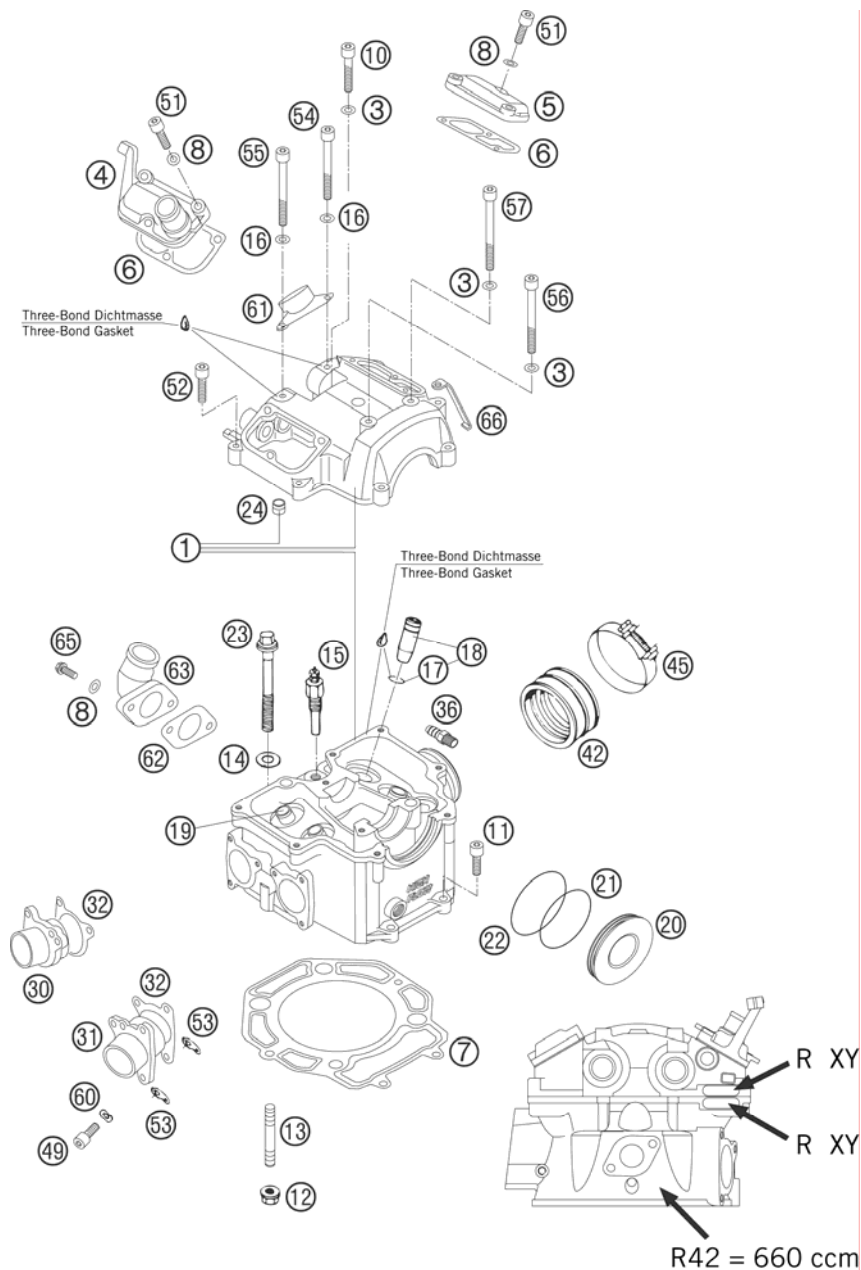
05585362 / C075853602

* NEW PART

X AS REQUIRED

CYLINDER HEAD

660 RALLYE FAC.REP. 2007

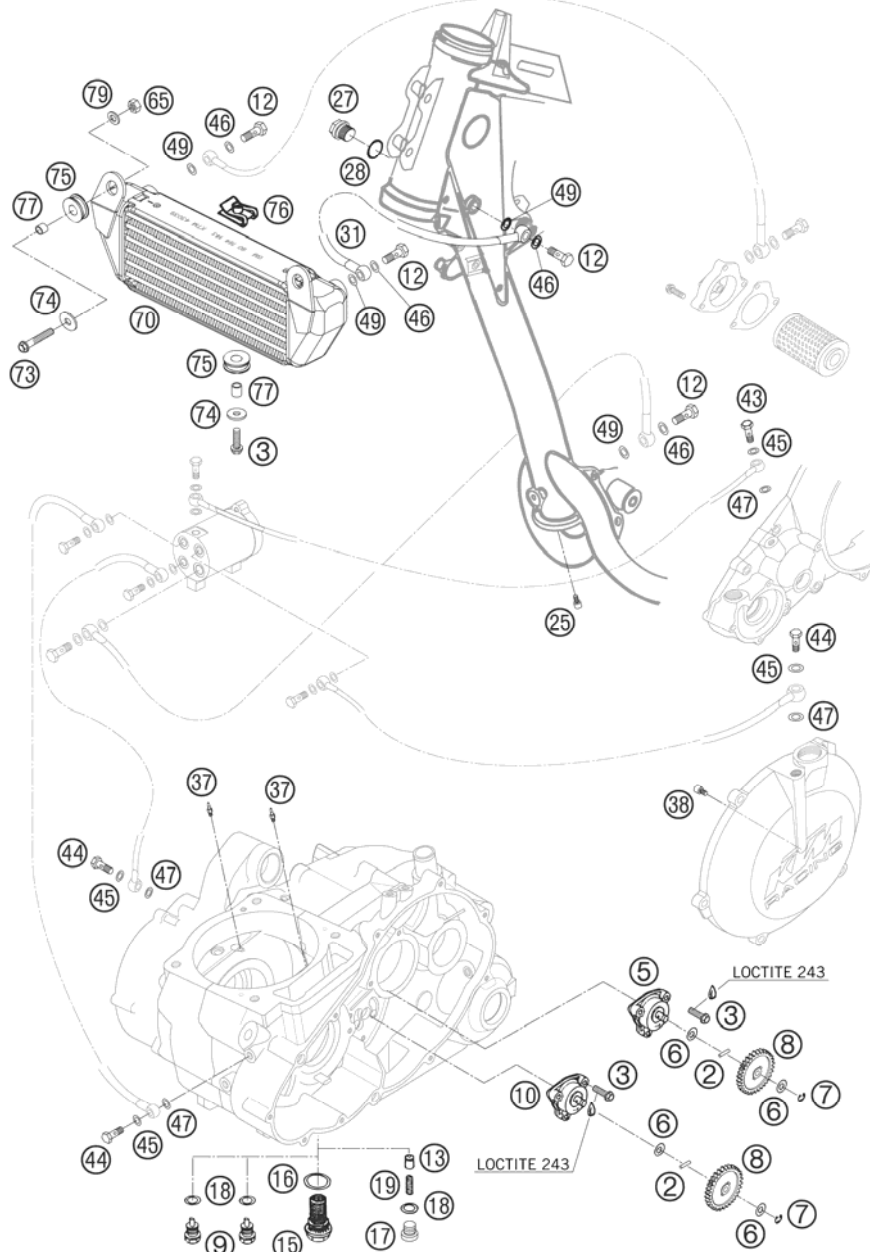


| FIG | PART NUMBER | DESCRIPTION | QTY |
|-----|-------------|-----------------------------|-----|
| 56 | 0912060653 | AH SCREW DIN0912-M 6X65 | 1 |
| 57 | 0912060703 | AH SCREW DIN0912-M 6X70 | 1 |
| 60 | 0137060003 | SPRING WASHER DIN0137-B 6 | 6 |
| 61 | 58539010000 | STICK COIL HOLDER 2001 | 1 |
| 62 | 56535106000 | GASKET FOR CONNECTING ANGLE | 1 |
| 63 | 56535006000 | CONNECTING ANGLE | 1 |
| 65 | 0015060163 | HH COLLAR SCREW M 6X16 WS=8 | 2 |
| 66 | 58530005050 | RETAINING PLATE | 1 |

05585362 / C075853602

* NEW PART

X AS REQUIRED



| FIG | PART NUMBER | DESCRIPTION | QTY |
|-----|-------------|--------------------------------|-----|
| 2 | 0402251980 | NEEDLEROL.DIN5402 NRA 2,5X19,8 | 2 |
| 3 | 0015060203 | HH COLLAR SCREW M 6X20 WS=8 | 7 |
| 5 | 58038007700 | OIL PUMP MIKUNI G-73-10 | 1 |
| 6 | 58038007755 | STOP DISK 8,1 X 15 X 0,5 | 4 |
| 7 | 0799060000 | TAB WASHER DIN6799-RS 6,0 | 2 |
| 8 | 58438001000 | OIL PUMP GEAR 26-T | 2 |
| 9 | 58030021000 | OILDRAIN PLUG W.MAG. M 12X1,5 | 2 |
| 10 | 58538007000 | OIL PUMP MIKUNI G-185 660 99 | 1 |
| 12 | 54313025000 | HOLLOW SCREW M10 X 1 | 4 |
| 13 | 58038028000 | VALVE PISTON D=10MM | 1 |
| 15 | 58038019100 | OIL DRAIN PLUG M22X1,5 | 1 |
| 16 | 58038017100 | CU-SEAL RING DIN7603-22X27X2 | 1 |
| 17 | 0908120153 | PLUG DIN0908-M12X1,5 | 1 |
| 18 | 58038022000 | CU-SEAL RING DIN7603-12X18X1,5 | 3 |
| 19 | 58538023000 | OIL PRES.SPRING 5 BAR RED 2001 | 1 |
| 25 | 0984060103 | AH SCREW DIN7984-M 6X10 | 1 |
| 27 | 0910160153 | PLUG DIN0910-M16X1,5 | 1 |
| 28 | 0603162220 | CU-SEAL RING 16X22X2 | 1 |
| 31 | 58538053044 | OIL L. OIL COOLER-FRAME 295MM | 1 |
| 37 | 60030064090 | OIL JET 90 M6X0,75 WS8 03 | 2 |
| 38 | 56331145075 | STARTING JET | 1 |
| 43 | 59038029000 | JET SCREW "100" M8X1 WS=12 | 1 |
| 44 | 58038030000 | % BANJO BOLT M8 X 1 DIN7643 | 3 |
| 45 | 0603082131 | COPPER GASK.DIN7603- 8,2X13X1 | 4 |
| 46 | 0603100141 | COPPER GASKET DIN7603-10X14X1 | 4 |
| 47 | 0603821220 | COPPER GASKET 8,2X12X2 MM 2001 | 4 |
| 49 | 0603101420 | COPPER GASKET 10,2X14X2 MM 01 | 4 |
| 65 | 0985060003 | SELF LOCK. NUT DIN0985-M 6 | 2 |
| 70 | 58538052000 | OIL COOLER RALLYE 2001 | 1 |
| 73 | 0015060353 | HH COLLAR SCREW M 6X35 WS=8 | 2 |
| 74 | 0021060003 | WASHER DIN9021-A 6,4 | 3 |
| 75 | 31008060000 | RUBBER SLEEVE D=8MM OPEN | 3 |
| 76 | 50235033300 | SNAP-NUT HOLDER M6 KP142 | 1 |
| 77 | 54431032050 | SPACER BUSHING 6X8X8,5 | 3 |
| 79 | 0125060003 | WASHER DIN0125-A 6,4 | 2 |

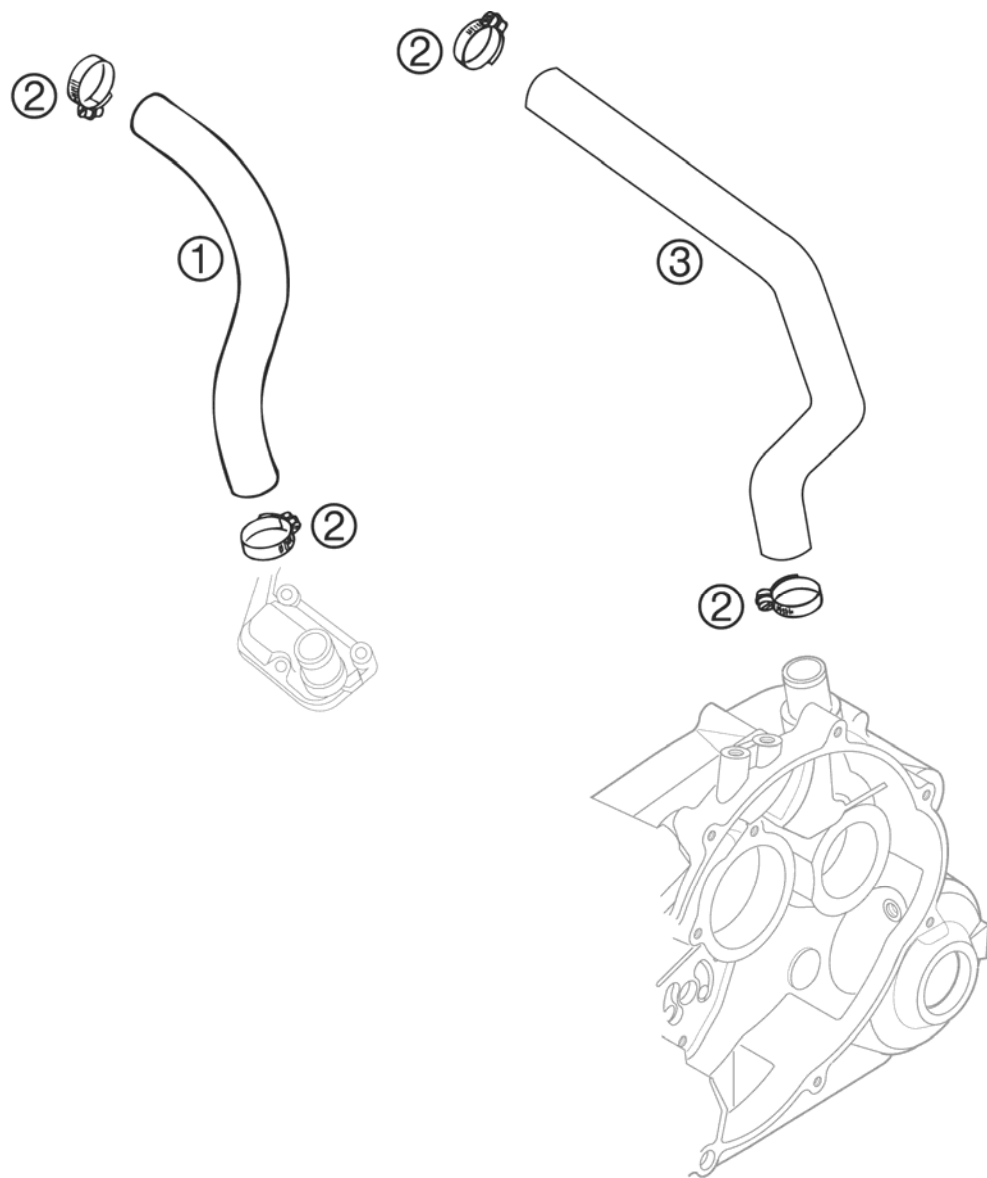
05585380 / C065853800

* NEW PART

X AS REQUIRED

ENGINE EXHAUST

660 RALLYE FAC.REP. 2007



| FIG | PART NUMBER | DESCRIPTION | QTY |
|-----|-------------|--------------------------|-----|
| 1 | 58430087000 | ENGINE BREATHER TUBE TOP | 1 |
| 2 | 42013037200 | HOSE CLAMP GEMI 12/22 | 4 |
| 3 | 57530090000 | BREATHER TUBE ENGINE '93 | 1 |

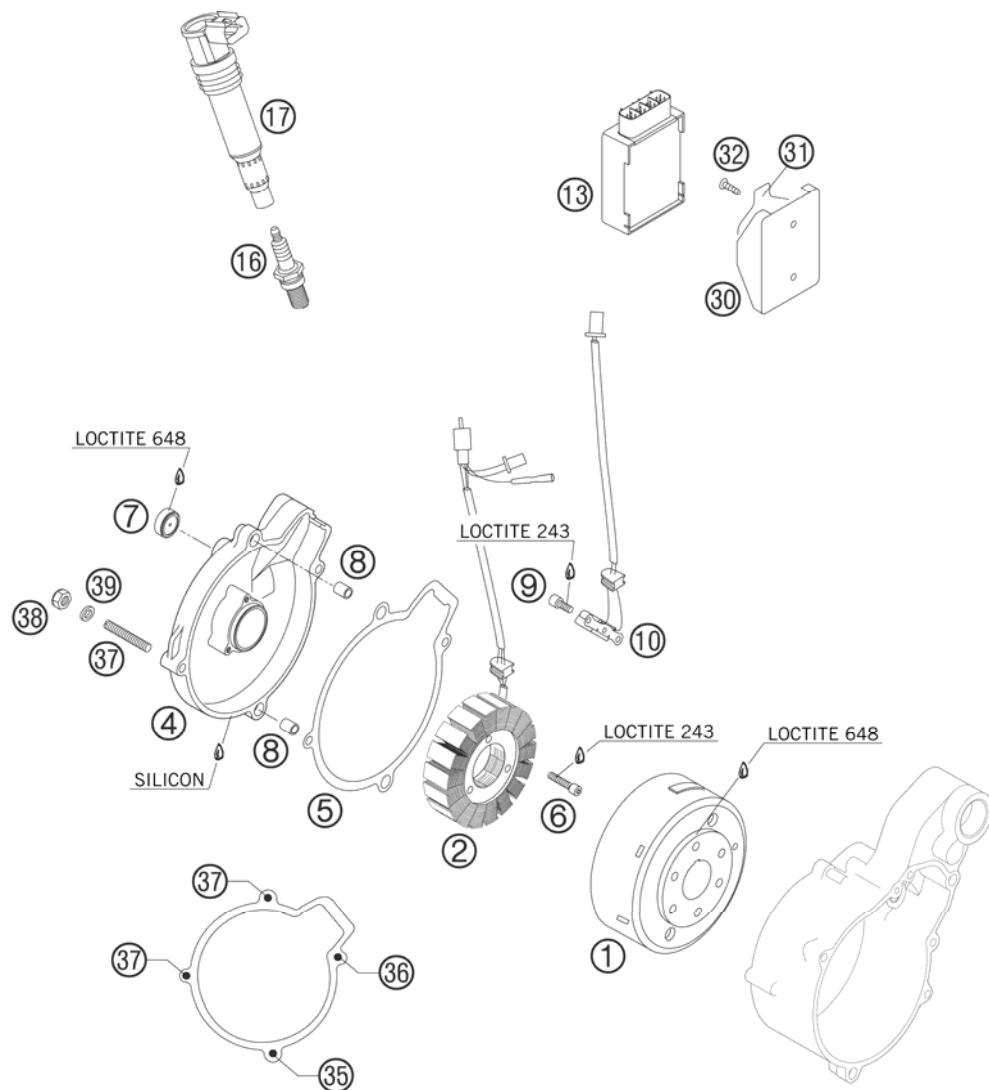
02585388 / C065853802

* NEW PART

X AS REQUIRED

IGNITION SYSTEM

660 RALLYE FAC.REP. 2007

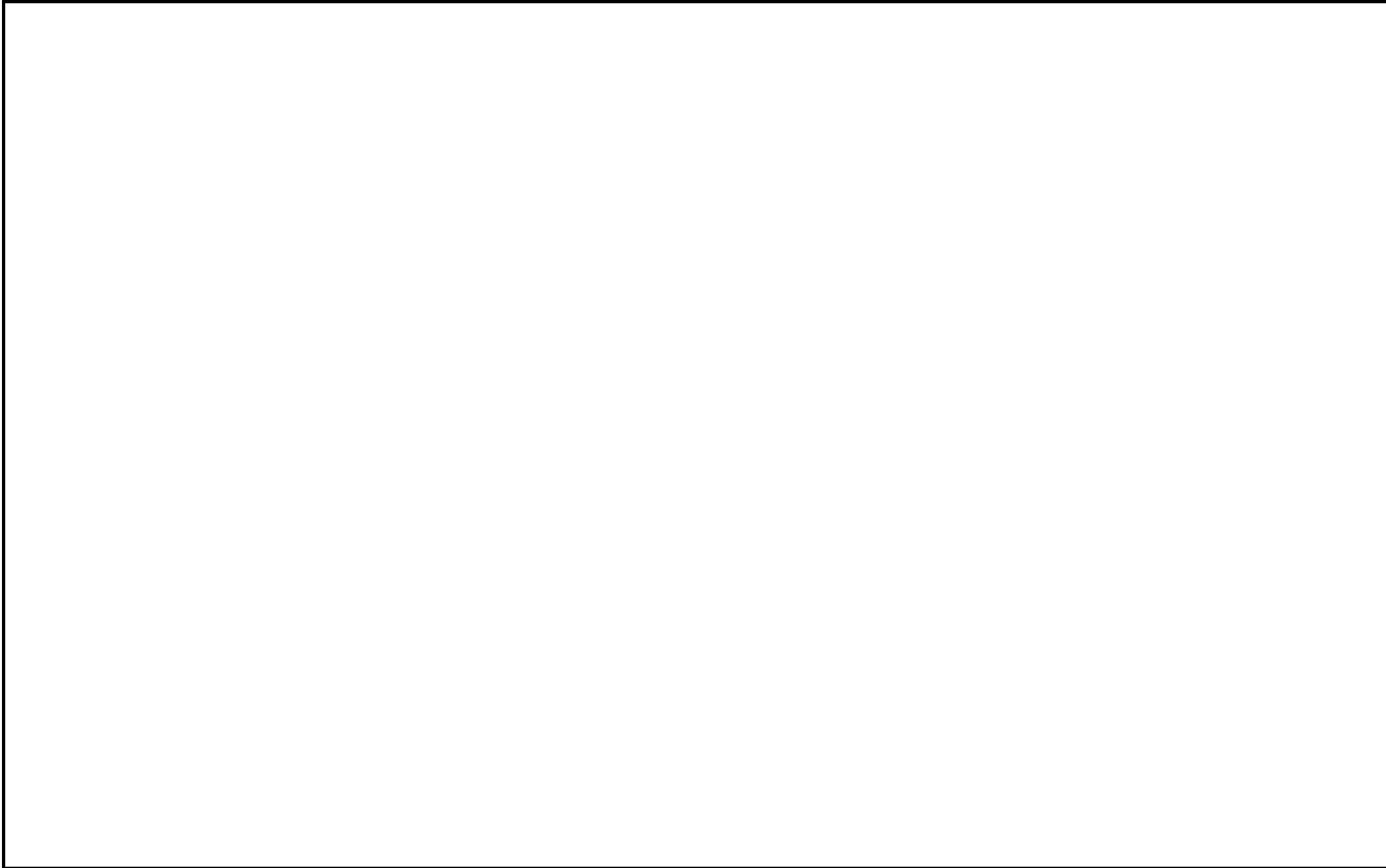


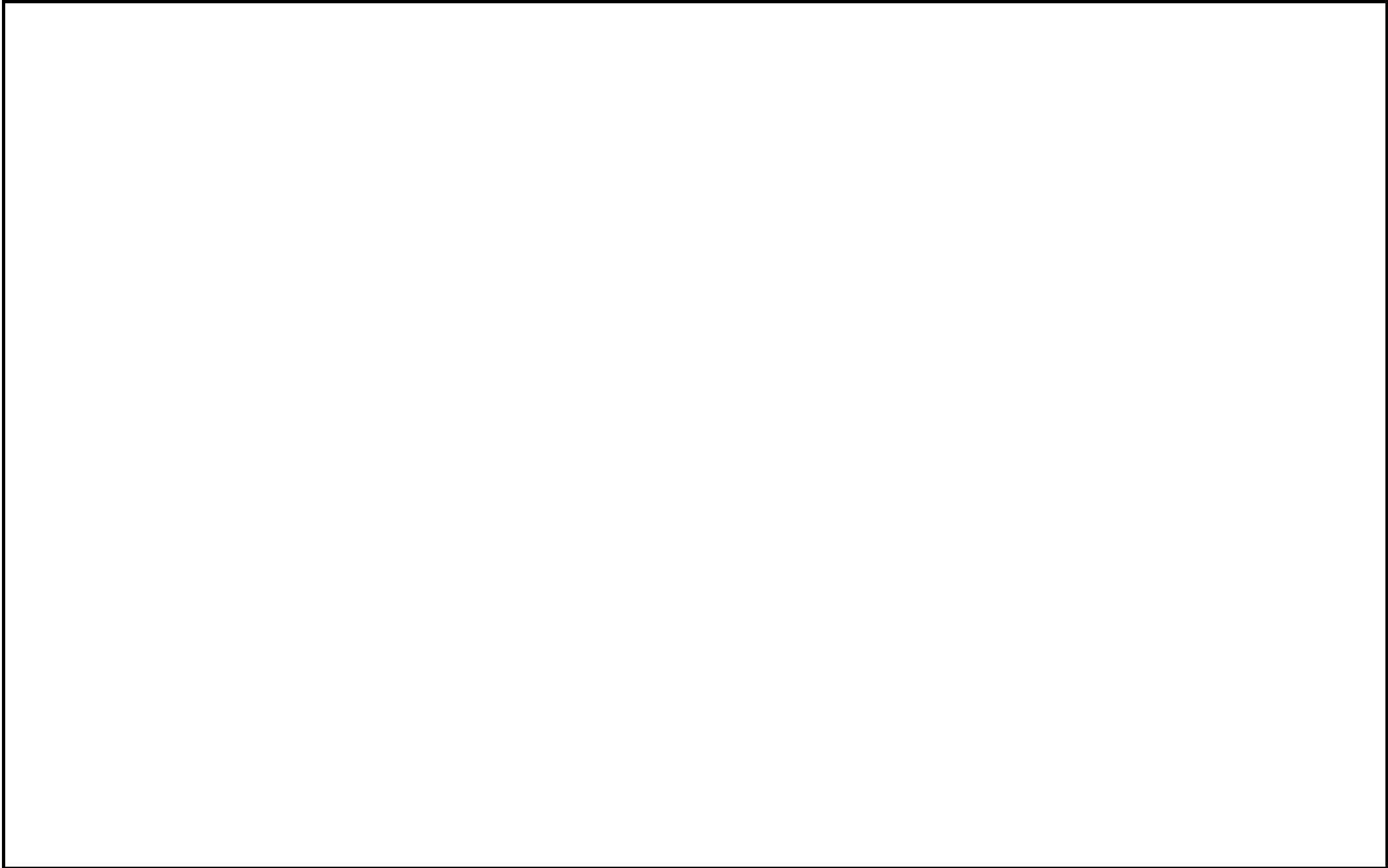
| FIG | PART NUMBER | DESCRIPTION | QTY |
|-----|---------------|--------------------------------|-----|
| 1 | 58439005100 | FLYWHEEL KOKUSAN GP9128 '97 | 1 |
| 2 | 58439004000 | STATOR KOKUSAN LOOSE '96 | 1 |
| 4 | 5843000214430 | IGNITION COVER CPL. BLACK 04 | 1 |
| 5 | 58530040000 | IGNITION COVER GASKET 2001 | 1 |
| 6 | 0912050253 | AH SCREW DIN0912-M 5X25 | 3 |
| 7 | 58430095100 | INSPECT.GLASS GW 20-7 MINERAL | 1 |
| 8 | 49030090000 | DOWEL 9,8 X 7 X 10 | 2 |
| 9 | 0912050083 | AH SCREW DIN 912 M 5X8 | 2 |
| 10 | 58439034000 | PULSER COIL | 1 |
| 13 | 58539031100 | CDI-BOX RALLYE 03 | 1 |
| 16 | 58539093000 | SPARK PLUG NGK DR9EA | 1 |
| 17 | 58539060000 | STICK COIL (IGN.C./SPA.P.C.)01 | 1 |
| 30 | 58439030200 | RUBBER BRACKET FOR DIGI-BOX 03 | 1 |
| 31 | 58439030250 | SUPPORT FOR RUBBER BRACKET 03 | 1 |
| 32 | 0991060103 | FLAT HEAD SCREW DIN7991 M6X10 | 2 |
| 35 | 0015060303 | HH COLLAR SCREW M 6X30 WS=8 | 1 |
| 36 | 0015060803 | HH COLLAR SCREW M 6X80 WS=8 | 1 |
| 37 | 0766060400 | THREAD PIN WITH SLOT M6x40 | 2 |
| 38 | 0934060003 | HEXAGON NUT DIN0934-M 6 | 2 |
| 39 | 58036065100 | CU-SEAL RING 6 X 10 X 2 | 2 |

05585390 / C075853900

* NEW PART

X AS REQUIRED







KTM-Sportmotorcycle AG
A-5230 Mattighofen
www.ktm.at

KTM Group Partner



3CM088249GEN



Art.Nr.: 3CM088249GEN 8/2006